

# YAMAHA

## OUTBOARD MOTOR PARTS LIST



### MODEL 3.5A

### MODEL 3.5AC

### FOR EUROPE



**YAMAHA MOTOR CO., LTD.**

COPY RIGHT: ALL RIGHTS RESERVED

NO PART OF THIS PUBLICATION MAY BE REPRODUCED WITHOUT PERMISSION.



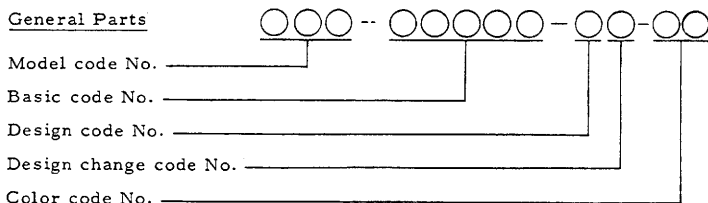
## FOREWORD

This Parts List relates to the parts in use for the Yamaha Outboard Motor 3.5A/3.5AC. When you are ordering replacement parts for the 3.5A/3.5AC, refer to this Parts List and quote both part numbers and part names correctly.

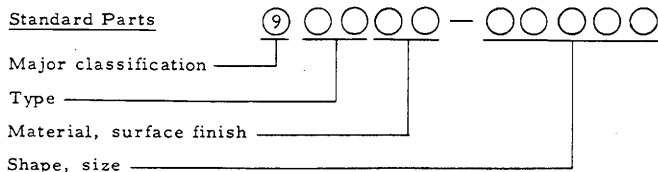
### 1. Structure of Part No.

Yamaha parts are divided largely into two categories; general parts and standard parts, and each part No. has the following structure:

#### General Parts



#### Standard Parts



Note: Every standard No. begins with 9.

### 2. How to Use this Parts List

- (1) Except for steel balls (whose size is indicated in inches), the size of all parts is indicated in millimeters in the following manner.

Hose (rubber or vinyl) . . . .	Inside diameter - outside diameter - length
O-ring . . . . .	Section area - inside diameter
Washer, shim, collar . . . . .	Inside diameter - outside diameter - thickness (length)
Pin, dowel . . . . .	Inside diameter - outside diameter - length

- (2) In the Parts List every component part of an assembly is so listed that each part name is indented one character from the left margin, and a dot (.) is attached before each.

Parts, which are not for sale, may be omitted from the list.

Example

Description	Q'ty
CARBURETOR ASS'Y .....	1
. JET, pilot .....	1
. NOZZLE, main .....	1
.	
.	
.	
. LEVER, stater .....	1

- (3) Key to symbols

U.R .... Use size (thickness) and/or number as required

U.N .... Use as many as you need

S ..... S type oil seal or S type circlip

SD ..... SD type oil seal

SW ..... SW type oil seal

E ..... E type circlip

R ..... R type circlip

T ..... Number of teeth in a gear

\* ..... New parts number

☆ } ..... Contents of gasket kit for power head

★ } ..... Contents of gasket kit for lower unit

◇ } ..... Contents of gasket kit for lower unit

◆ } ..... Contents of gasket kit for lower unit

- (4) In this parts list, the right and left with respect to positions of parts are determined viewing the boat hull from the stern.

(5) All spare parts used in the MODEL 3.5A/3.5AC, are listed in first edition of parts list for 3.5A/3.5AC (REF NO. 624-28198-E5). For your easy reference, we show the history of revision of the parts from the first engine of 3.5A/3.5AC. We shall request you to apply this list in future, instead of the old one which have even been supplied to you. Please pay attention to the number of column of engine number, when you place order with us, so that you can avoid the order for wrong parts.

(6) Indication for the revise of spare parts  
The contents of this parts list is almost same as ordinary parts list. However, please note that this parts list have the indication of interchangeable parts. If any parts shown on the parts list have interchangeable parts, marks "◇" are indicated on the REMARKS.

Example

Parts No.	Description	Q'ty	Remarks
624-14101-00	CARBURETOR ASS'Y	1	◇
624-14101-02	CARBURETOR ASS'Y	1	

As soon as the parts marked by "◇" will be sold out, only the substituted parts will be sold automatically.

In other words, when 624-14101-00 will be sold out, only 624-14101-02 will be supplied to you instead of 624-14101-00.

(7) This Parts List was prepared on Aug., 10, 1976. If any part of the list is changed, it will be published in the Yamaha Parts News. It is requested, therefore, that you will keep this Parts List up-to-dated by making necessary corrections.



# GASKET KIT

- ☆----- Indicates contents of gasket kit for power head
  - 3.5AS-08851~ 11295
  - L-32136~ 32585
  - 3.5ACS-16020~ 23740
  - L-38866~ 41690
  
- ★----- Indicates contents of gasket kit for power head
  - 3.5AS-11481~
  - L-32586~
  - 3.5ACS-24476~
  - L-41806~
  
- ◇----- Indicates contents of gasket kit for lower unit
  - 3.5AS-08851~ 11295
  - L-32136~ 32585
  - 3.5ACS-16020~ 23740
  - L-38866~ 41690
  
- ◆----- Indicates contents of gasket kit for lower unit
  - 3.5AS-11481~
  - L-32586~
  - 3.5ACS-24476~
  - L-41806~

# GASKET KIT

Parts No.	Description	Q'ty	Remarks
☆ -----	Contents of gasket kit for power head -----		{ 3.5AS-08851 ~ 11295 L-32136 ~ 32585 3.5ACS-16020 ~ 23740 L-38866 ~ 41690
624-W0001-00	GASKET KIT FOR POWER HEAD	1s	
603-11181-00	GASKET, cylinderhead	1	Ref. No. 1-12
624-14452-00	SEAL	1	3-11
624-14416-00	GASKET, air cleaner	1	3-32
624-13645-00	GASKET, intake manifold	1	3-35
620-13647-00	GASKET, intake manifold	1	3-36
624-13621-00	PACKING, valve seat	1	3-40
620-14199-00	GASKET	1	4-27
624-41133-00	GASKET, exhaust manifold 1	2	5-6-5
624-41134-00	GASKET, exhaust manifold 2	1	5-7-6-7
624-24522-00	PACKING, filter	1	17-17
★ -----	Contents of gasket kit for power head -----		{ 3.5AS-11481 ~ L-32586 ~ 3.5ACS-24476 ~ L-41806 ~
624-W0001-80	GASKET KIT FOR POWER HEAD	1s	
603-11181-00	GASKET, cylinderhead	1	Ref. No. 1-12
624-14452-00	SEAL	1	3-11
624-14416-00	GASKET, air cleaner	1	3-32
624-13645-00	GASKET, intake manifold	1	3-35
620-13647-00	GASKET, intake manifold	1	3-36
624-13621-00	PACKING, valve seat	1	3-40
620-14199-00	GASKET	1	4-27
624-41134-80	GASKET, exhaust manifold 2	1	5-13-6-13
654-44365-80	RUBBER, water seal 1	1	5-26,6-26
624-24522-00	PACKING, filter	1	17-17



# GASKET KIT

Parts No.	Description	Q'ty	Remarks
◇ -----	Contents of gasket kit for lower unit -----		<div style="font-size: small; border-left: 1px solid black; padding-left: 5px; margin-left: 10px;">                     3.5AS-08851 ~ 11295                      L-32136 ~ 32585                      3.5ACS-16020 ~ 23740                      L-38866 ~ 41090                 </div>
624-W0001-20	GASKET KIT FOR LOWER UNIT	1s	
624-45114-00	GASKET, upper casing 2	1	Ref. No. 5-3,6-3
642-45273-00	GASKET, shifter casing	2	6-39
90430-08020	GASKET	2	7-7,8-7
93210-24108	O-RING (2.5-24)	1	7-8,8-10
642-45315-00	PACKING, lower casing	1	7-15,8-20
624-45363-00	GASKET, lower casing cap	1	7-29,8-48
90430-05008	GASKET	1	8-9
93210-07003	O-RING (1.9-6.8)	1	12-8
◆ -----	Contents of gasket kit for lower unit -----		<div style="font-size: small; border-left: 1px solid black; padding-left: 5px; margin-left: 10px;">                     3.5AS-11481 ~                      L-32586 ~                      3.5ACS-24476 ~                      L-41806 ~                 </div>
624-W0001-30	GASKET KIT FOR LOWER UNIT	1s	
624-45114-01	GASKET, upper casing 2	1	Ref. No. 5-12,6-12
642-45273-00	GASKET, shifter casing	2	6-39
90430-08020	GASKET	2	7-7,8-7
93210-24108	O-RING (2.5-24)	1	7-8,8-10
642-45315-00	PACKING, lower casing	1	7-15,8-20
624-45363-00	GASKET, lower casing cap	1	7-29,8-48
90430-05008	GASKET	1	8-9
93210-07003	O-RING (1.9-6.8)	1	12-8

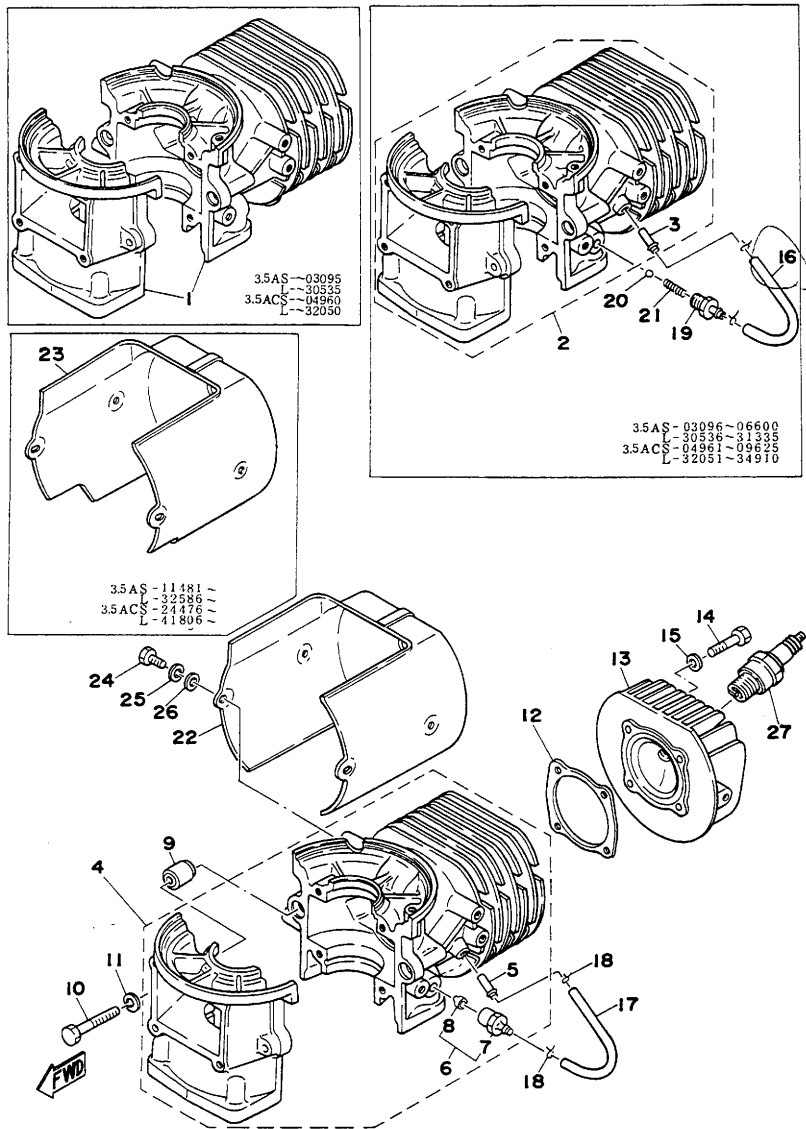


## CONTENTS

Fig. 1	Crankcase · Cylinder	1
Fig. 2	Crank · Piston	3
Fig. 3	Intake	7
Fig. 4	Carburetor	11
Fig. 5	Upper Casing (Without Clutch)	15
Fig. 6	Upper Casing (With Clutch)	19
Fig. 7	Lower Casing · Drive (Without Clutch)	23
Fig. 8	Lower Casing · Drive (With Clutch)	27
Fig. 9	Bracket	33
Fig. 10	Tilt Lock	37
Fig. 11	Steering	39
Fig. 12	Gear Shift (With Clutch)	43
Fig. 13	Flywheel Magneto	45
Fig. 14	Starter	49
Fig. 15	Cowling	53
Fig. 16	Fuel Tank	55
Fig. 17	Tank Cap · Fuel Cock	57

## NUMERICAL INDEX

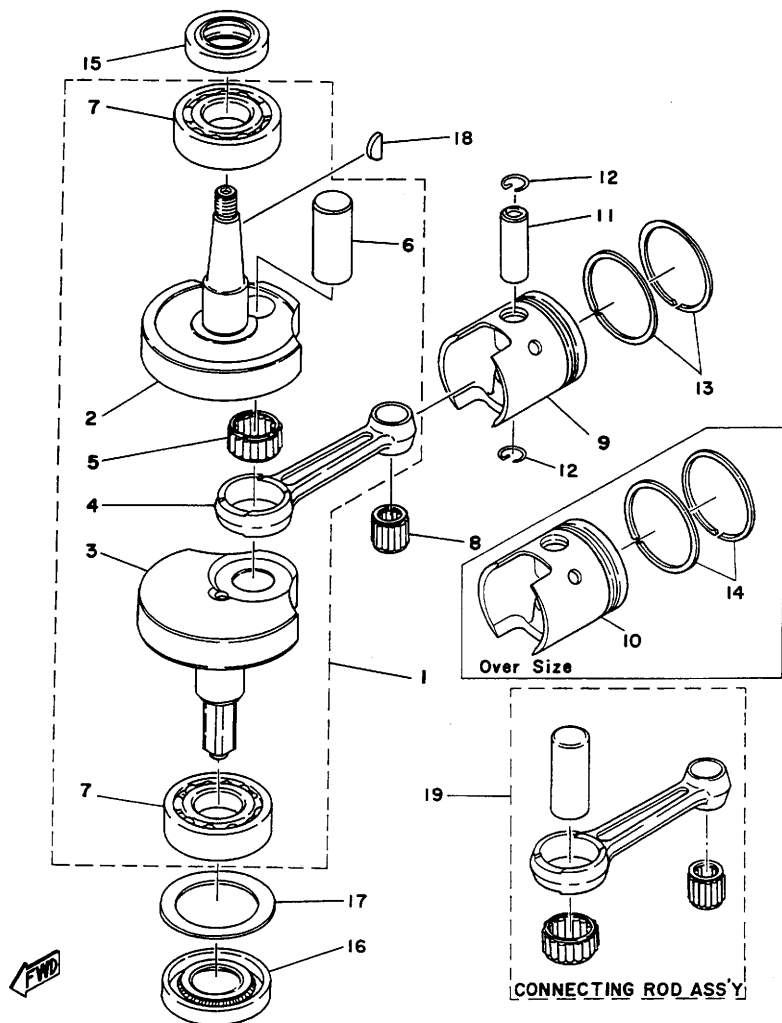
Fig. 1 CRANKCASE · CYLINDER



# CRANKCASE · CYLINDER

Ref. No.	Parts No.	Description	Q'ty		Applicable Machine No.	Remarks
			35A	35AC		
1- 1	624-15100-00-94	CRANKCASE ASS'Y	1	1	3.5AS ~ 03095 L ~ 30535 3.5ACS ~ 04960 L ~ 32050	
1- 2	624-15100-60-94	CRANKCASE ASS'Y	1	1	3.5AS-03096 ~ 06600 L-30536 ~ 31335 3.5ACS-04961 ~ 09625 L-32051 ~ 34910	
1- 3	624-14485-00	PIPE, joint	1	1		
1- 4	624-15100-61-94	CRANKCASE ASS'Y	1	1	3.5AS-06601 ~ 11295 L-31336 ~ 32585 3.5ACS-09626 ~ 23740 L-34911 ~ 41690	
	*624-15100-80-94	CRANKCASE ASS'Y	1	1	3.5AS-11481 ~ L-32586 ~ 3.5ACS-24476 ~ L-41806 ~	
1- 5	624-14485-00	PIPE, joint	1	1		
1- 6	624-11370-00	CHECK VALVE ASS'Y	1	1	3.5AS-06601 ~ L-31336 ~ 3.5ACS-09626 ~ L-34911 ~	
1- 7	624-11375-00	NIPPLE, hose	1	1		
1- 8	624-11379-00	VALVE, check	1	1		
1- 9	91830-22016	PIN, dowel A (8.4-12-16)	2	2		
1-10	97323-06040	BOLT, hexagon	2	2		
1-11	92903-06100	WASHER, spring	2	2		
*1-12	603-11181-00	GASKET, cylinderhead	1	1		
1-13	624-11111-02-94	HEAD, cylinder	1	1		
1-14	97323-06030	BOLT, hexagon	4	4		
1-15	92903-06600	WASHER, plate	4	4		
1-16	90445-05794	HOSE (2.5-5-70)	1	1	3.5AS-03096 ~ 06600 L-30536 ~ 31335 3.5ACS-04961 ~ 09625 L-32051 ~ 34910	◇
1-17	655-24312-00	PIPE 2	1	1	3.5AS-06601 ~ L-31336 ~ 3.5ACS-09626 ~ L-34911 ~	
1-18	90467-06016	CLIP	2	2		
1-19	624-14588-01	CONNECTOR	1	1		
1-20	93501-08001	BALL, steel (1/8 inch)	1	1	3.5AS-03096 ~ 06600 L-30536 ~ 31335 3.5ACS-04961 ~ 09625 L-32051 ~ 34910	
1-21	90501-02223	SPRING, compression	1	1		
1-22	624-12651-02-33	AIR SHROUD, cylinder 1	1	1	3.5AS ~ 11295 L ~ 32585 3.5ACS ~ 23740 L ~ 41690 3.5AS-11481 ~ L-32586 ~	◇ Yamaha B1
1-23	*624-12651-03-33	AIR SHROUD, cylinder 1	1	1	3.5AS-11481 ~ L-32586 ~ 3.5ACS-24476 ~ L-41806 ~	◇ Yamaha B1
1-24	97323-06010	BOLT, hexagon	4	4		
1-25	92903-06100	WASHER, spring	4	4		
1-26	92903-06600	WASHER, plate	4	4		
1-27	94701-00040	PLUG, spark (B-7HS)	1	1	3.5AS ~ 11295 L ~ 32585 3.5ACS ~ 23740 L ~ 41690 3.5AS-11481 ~ L-32586 ~	
	*94701-00039	PLUG, spark (B-6HS)	1	1	3.5AS-24476 ~ L-41806 ~	

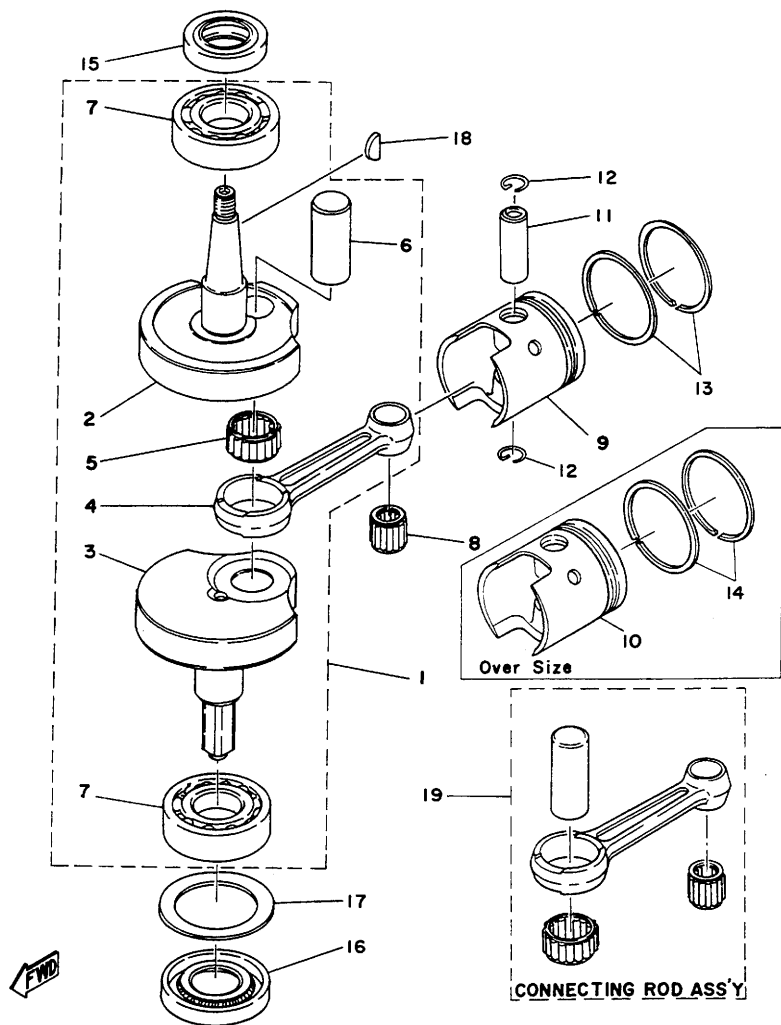
Fig. 2 CRANK · PISTON



# CRANK · PISTON

Ref. No.	Parts No.	Description	Q'ty		Applicable Machine No.	Remarks				
			3.5A	3.5AC						
2- 1	624-11400-01	CRANK ASS'Y	1	1						
2- 2	624-11412-01	. CRANK 1	1	1						
2- 3	624-11422-01	. CRANK 2	1	1						
2- 4	126-11651-00	. ROD, connecting	1	1						
2- 5	93310-41810	. BEARING, con-rod big end	1	1						
2- 6	624-11681-00	. PIN, crank	1	1						
2- 7	93306-00407	. BEARING (B6004C3)	2	2						
2- 8	93310-11202	BEARING, con-rod small end	1	1	{ 3.5AS~11295 L~32585 3.5ACS~23740 L~41690					
	93310-11268	BEARING, con-rod small end	1	1		{ 3.5AS~11296~ L~32586~ 3.5ACS~23741~ L~41691~				
2- 9	624-11631-00-96	PISTON (Standard 44.96mm)	} U. R. U. R	1	1	{ 3.5AS~11295 L~32585 3.5ACS~23740 L~41690				
	624-11631-00-97	PISTON (Standard 44.97mm)								
	* 624-11631-80-95	PISTON (Standard 44.95mm)	} U. R. U. R	1	1	{ 3.5AS~11481~ L~32586~ 3.5ACS~24476~ L~41806~				
	* 624-11631-80-96	PISTON (Standard 44.96mm)								
	* 624-11631-80-97	PISTON (Standard 44.97mm)								
2-10	624-11635-00	PISTON (Over Size 45.25mm)	..	1	1	{ 3.5AS~11295 L~32585 3.5ACS~23740 L~41690				
	624-11636-00	PISTON (Over Size 45.50mm)	..	1	1					
	* 624-11635-80	PISTON (Over Size 45.25mm)	..	1	1	{ 3.5AS~11481~ L~32586~ 3.5ACS~24476~ L~41806~				
	* 624-11636-80	PISTON (Over Size 45.50mm)	..	1	1					
2-11	603-11633-01	PIN, piston	1	1						
2-12	93450-13022	CIRCLIP (132-11634-00)	2	2						
2-13	624-11610-00	PISTON RING SET (Standard)	1s	1s						
2-14	624-11610-10	PISTON RING SET (Over Size 45.25mm)	1s	1s						
	624-11610-20	PISTON RING SET (Over Size 45.50mm)	1s	1s						
2-15	93102-20009	OIL SEAL (SD-20-35-7)	1	1						
2-16	93102-20060	OIL SEAL (SD-20-46-8)	1	1						
2-17	624-11517-01	LOCK, labyrinth seal	1	1						
2-18	90280-03017	KEY, woodruff (146-11545-00)	1	1						

Fig. 2 CRANK · PISTON





# CRANK · PISTON

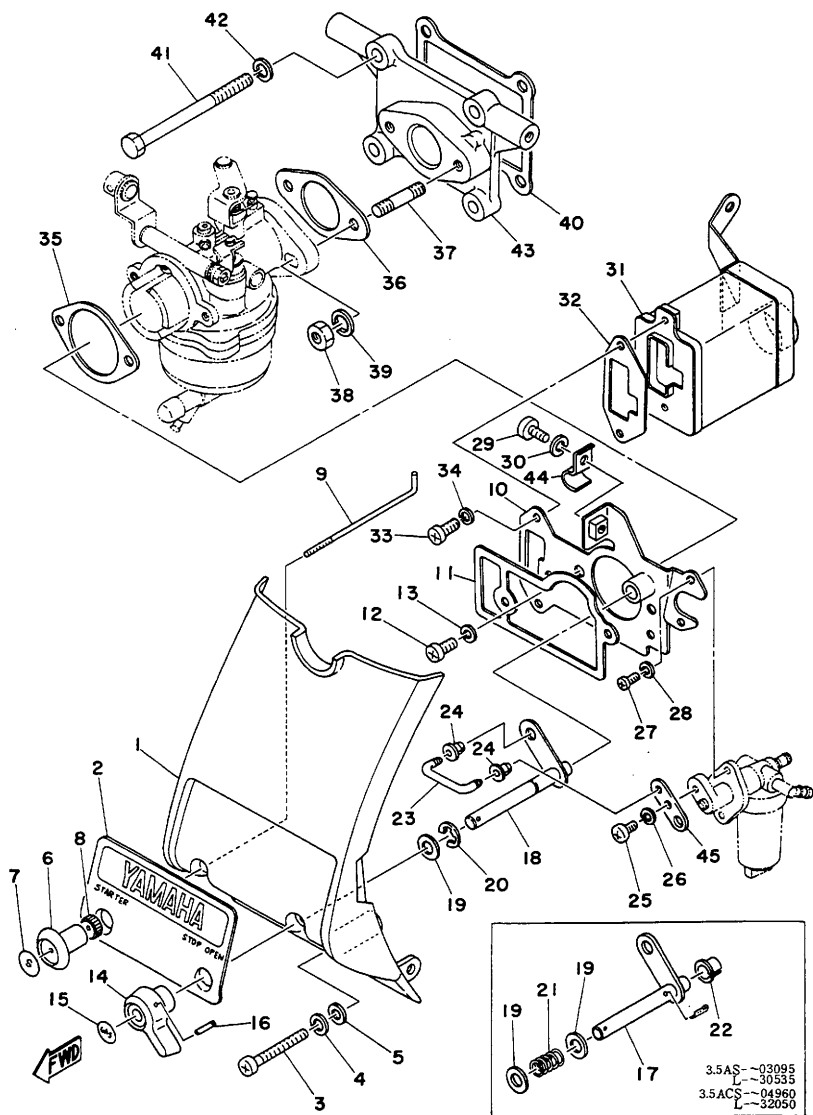
Ref. No.	Parts No.	Description	Q'ty	Applicable Machine No.	Remarks
----------	-----------	-------------	------	---------------------------	---------

3.5A 3.5AC

## OPTIONAL PARTS

2-19	624-11650-00	CONNECTING ROD ASS'Y	.....	1 1	Ref. No. 4,5,6,8
------	--------------	----------------------	-------	-----	---------------------

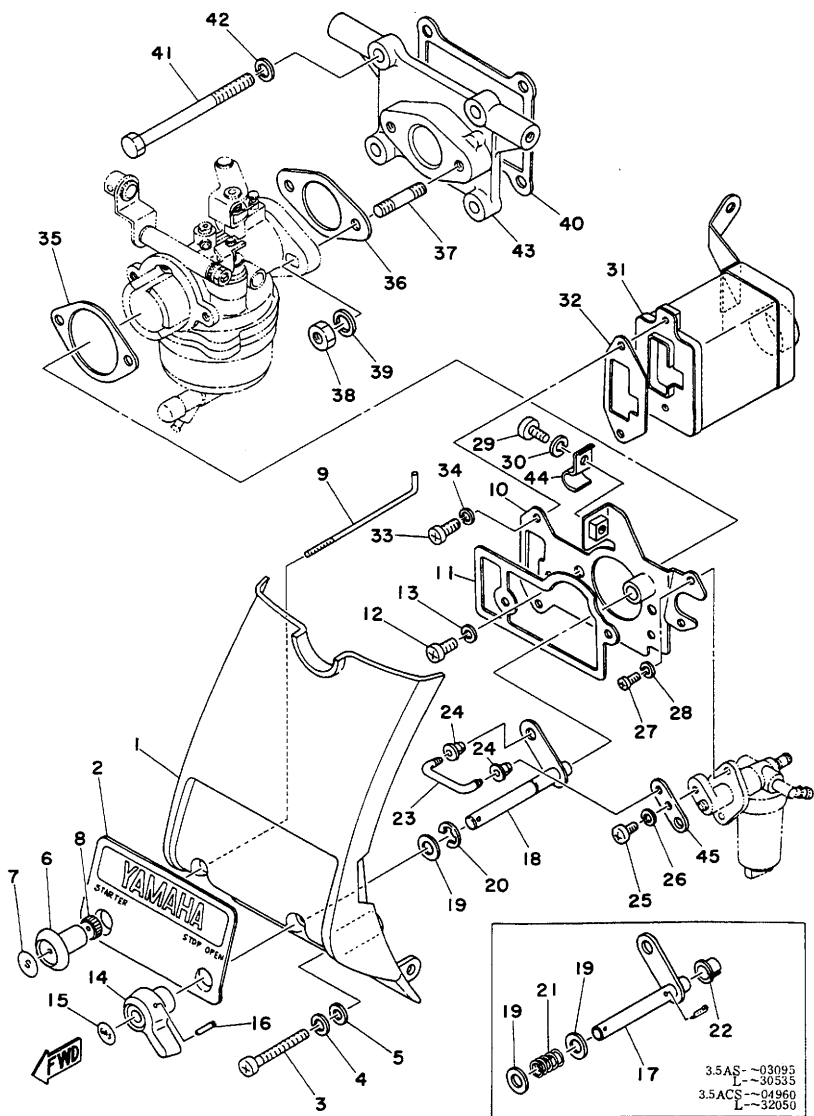
Fig. 3 INTAKE



# INTAKE

Ref. No.	Parts No.	Description	Q'ty		Applicable Machine No.	Remarks
			35A	35AC		
3- 1	624-14441-00-36	SILENCER	1	1	{ 3.5AS ~ 09000 L ~ 32135 3.5ACS ~ 16425 L ~ 39275 3.5AS-09001 ~ 11295 L-32136 ~ 32585 3.5ACS-16426 ~ 23740 L-39276 ~ 41690	White
	624-14441-01-36	SILENCER	1	1		White
	624-14441-02	SILENCER	1	1		{ 3.5AS-11481 ~ L-32586 ~ 3.5ACS-24476 ~ L-41806 ~
3- 2	624-42677-00	GRAPHIC, front	1	1		
3- 3	98503-05032	SCREW, panhead	2	2		
3- 4	92990-05100	WASHER, spring	2	2		
3- 5	92990-05600	WASHER, plate	2	2		
3- 6	624-41271-00	KNOB, choke 1	1	1		
3- 7	624-24156-00	INDICATOR, starter	1	1		
3- 8	617-41272-01	KNOB, choke 2	1	1		
3- 9	624-41256-00	ROD, choke link	1	1		
3-10	624-14497-00	STAY, throttle wire	1	1		
☆ 3-11	624-14452-00	SEAL	1	1		
3-12	98503-05010	SCREW, panhead	2	2		
3-13	92903-05100	WASHER, spring	2	2		
3-14	624-24575-00	LEVER, fuel change	1	1		
3-15	624-24153-00	INDICATOR, cock	1	1		
3-16	91690-20018	PIN, spring	1	1		
3-17	624-24572-00	SHAFT, fuel change	1	1	{ 3.5AS ~ 03095 L ~ 30535 3.5ACS ~ 04960 L ~ 32050 3.5AS-03096 ~ L-30536 ~ 3.5ACS-04961 ~ L-32051 ~ 3.5AS ~ 03095 L ~ 30535 3.5ACS ~ 04960 L ~ 32050	
3-18	624-24572-01	SHAFT, fuel change	1	1		
3-19	92903-06200	WASHER, plain	2	2		
	92903-06200	WASHER, plain	1	1		
3-20	93430-05011	CIRCLIP (E-5)	1	1		
3-21	90501-08039	SPRING (612-24577-00)	1	1	{ 3.5AS ~ 03095 L ~ 30535 3.5ACS ~ 04960 L ~ 32050	
3-22	90386-06003	BUSHING (604-41292-00)	1	1		
3-23	624-24553-00	ROD, connection	1	1		
3-24	90386-03026	BUSHING, joint	2	2		
3-25	98503-05008	SCREW, panhead	1	1		
3-26	92903-05100	WASHER, spring	1	1		

Fig. 3 INTAKE

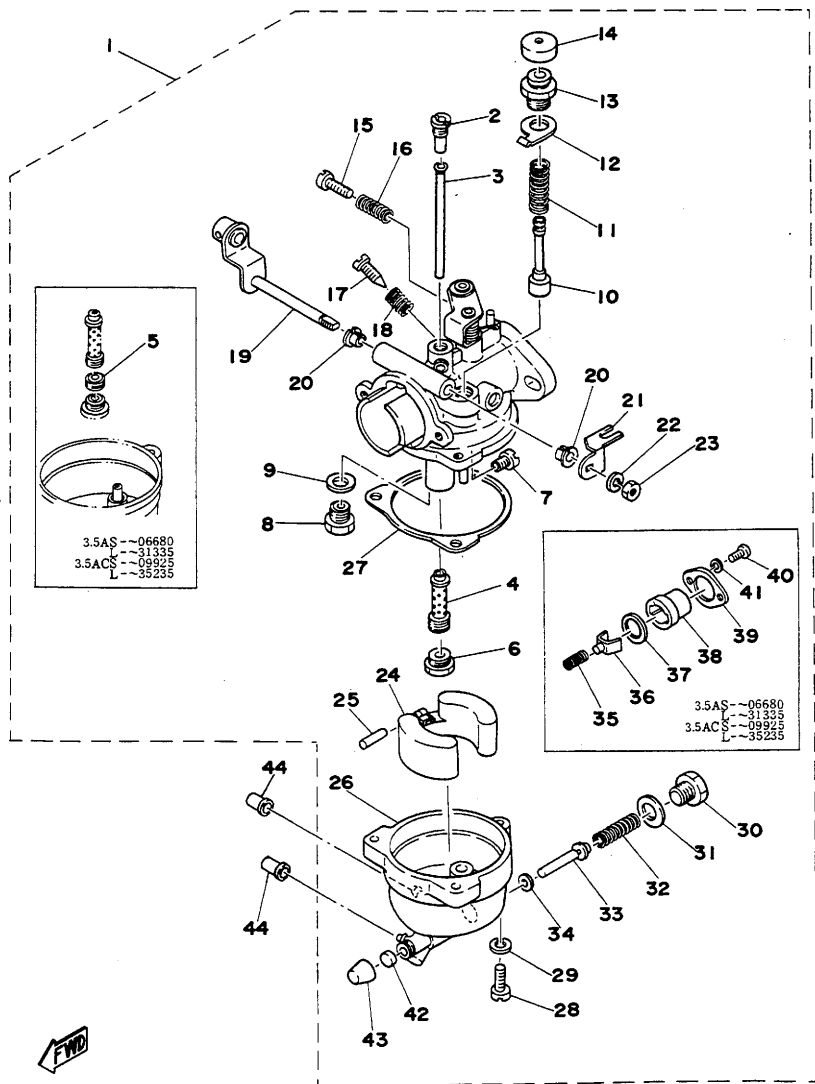


3.5AS ~ 03095  
 L ~ 30535  
 3.5ACS ~ 04960  
 L ~ 32050

# INTAKE

Ref. No.	Parts No.	Description	Q'ty		Applicable Machine No.	Remarks
			35A	35AC		
3-27	98503-04008	SCREW, panhead	2	2		
3-28	92901-04100	WASHER, spring	2	2		
3-29	98503-05010	SCREW, panhead	1	1		
3-30	92903-05100	WASHER, spring	1	1		
3-31	624-14410-00-33	AIR CLEANER ASS'Y	1	1		Yamaha Black
☆3-32	624-14416-00	GASKET, air cleaner	1	1		
3-33	98503-05010	SCREW, panhead	2	2		
3-34	92903-05100	WASHER, spring	2	2		
☆3-35	624-13645-00	GASKET, intake manifold	1	1		
☆3-36	620-13647-00	GASKET, intake manifold	1	1		
3-37	90116-06011	STUD (624-13558-01)	2	2		
3-38	95303-06600	NUT, hexagon	2	2		
3-39	92903-06100	WASHER, spring	2	2		
☆3-40	624-13621-00	PACKING, valve seat	1	1		
3-41	97323-06070	BOLT, hexagon	4	4		
3-42	92903-06100	WASHER, spring	4	4		
3-43	624-13610-00	REED VALVE ASS'Y	1	1		
3-44	624-26381-00	HOLDER, wire adjusting	1	1		
3-45	624-24578-00	LEVER, fuel change 2	1	1		

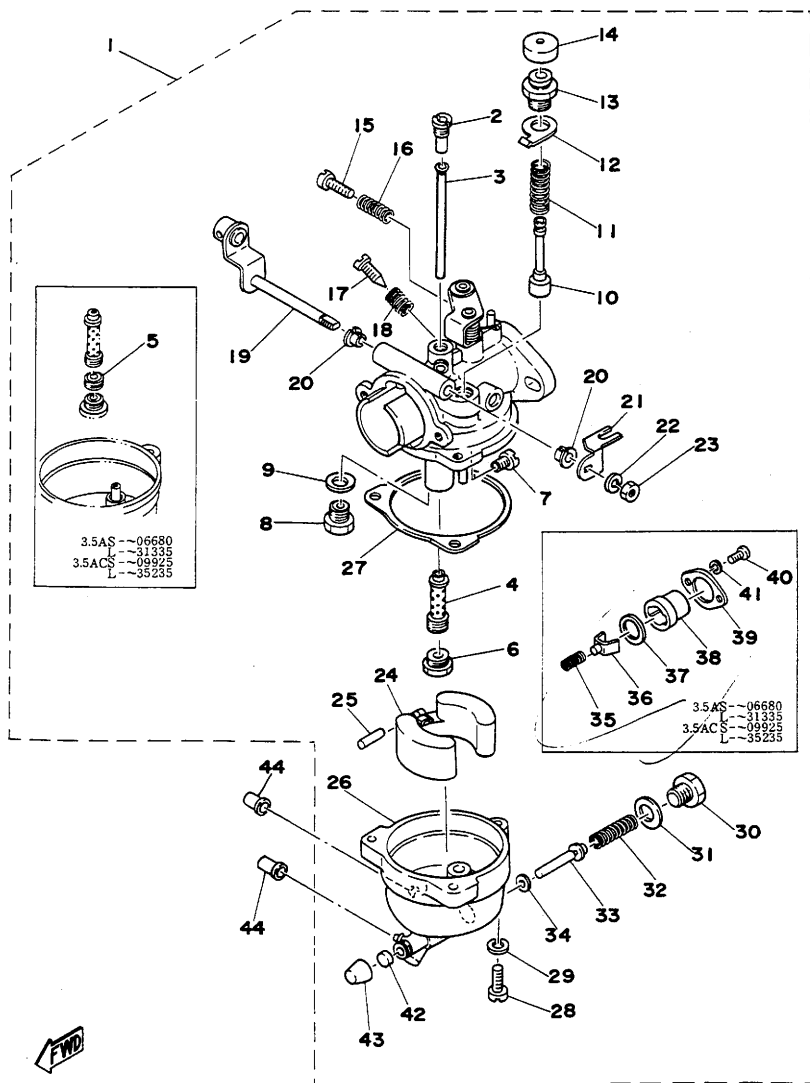
Fig. 4 CARBURETOR



# CARBURETOR

Ref. No.	Parts No.	Description	Q'ty		Applicable Machine No.	Remarks
			35A	35AC		
4- 1	624-14101-02	CARBURETOR ASS'Y	1	1		
4- 2	620-14142-10	. JET, pilot (#50)	1	1		3.5AS ~ 06680 L ~ 31335
	620-14142-08	. JET, pilot (#40)	1	1		3.5ACS ~ 09925 L ~ 35235
4- 3	620-14149-00	. PIPE	1	1		3.5AS-06681 ~ L-31336 ~ 3.5ACS-09926 ~ L-35236 ~
4- 4	624-14141-00	. NOZZLE, main	1	1		
4- 5	620-14244-00	. HOLDER, nozzle	1	1		3.5AS ~ 06680 L ~ 31335 3.5ACS ~ 09925 L ~ 35235
4- 6	620-14245-00	. SCREW, guide	1	1		
4- 7	620-14231-14	. JET, main (#70)	}	1	U.R	U.R
	620-14231-15	. JET, main (#75)				
	620-14231-16	. JET, main (#80)				
	620-14231-17	. JET, main (#85)				
4- 8	620-14190-20	. VALVE SEAT ASS'Y	1	1		
4- 9	127-14195-00	. WASHER, valve seat	1	1		
4-10	620-14171-00	. PLUNGER, starter	1	1		
4-11	132-14135-00	. SPRING, plunger	1	1		
4-12	620-14178-00	. PLATE, starter lever	1	1		
4-13	620-14174-00	. CAP, plunger	1	1		
4-14	132-14173-00	. COVER, plunger cap	1	1		
4-15	98302-03014	. SCREW, cylinderhead	1	1		
4-16	620-14133-01	. SPRING, throttle stop	1	1		
4-17	620-14211-00	. SCREW, pilot adjusting	1	1		
4-18	620-14212-00	. SPRING, pilot adjusting	1	1		
4-19	624-14175-01	. SHAFT ASS'Y	1	1		
4-20	620-14241-00	. BUSHING	2	2		
4-21	620-14176-00	. LEVER, starter 2	1	1		
4-22	92901-05100	. WASHER, spring	1	1		
4-23	95301-05700	. NUT, hexagon	1	1		
4-24	620-14185-00	. FLOAT	1	1		
4-25	620-14186-00	. PIN, float	1	1		

# Fig. 4 CARBURETOR

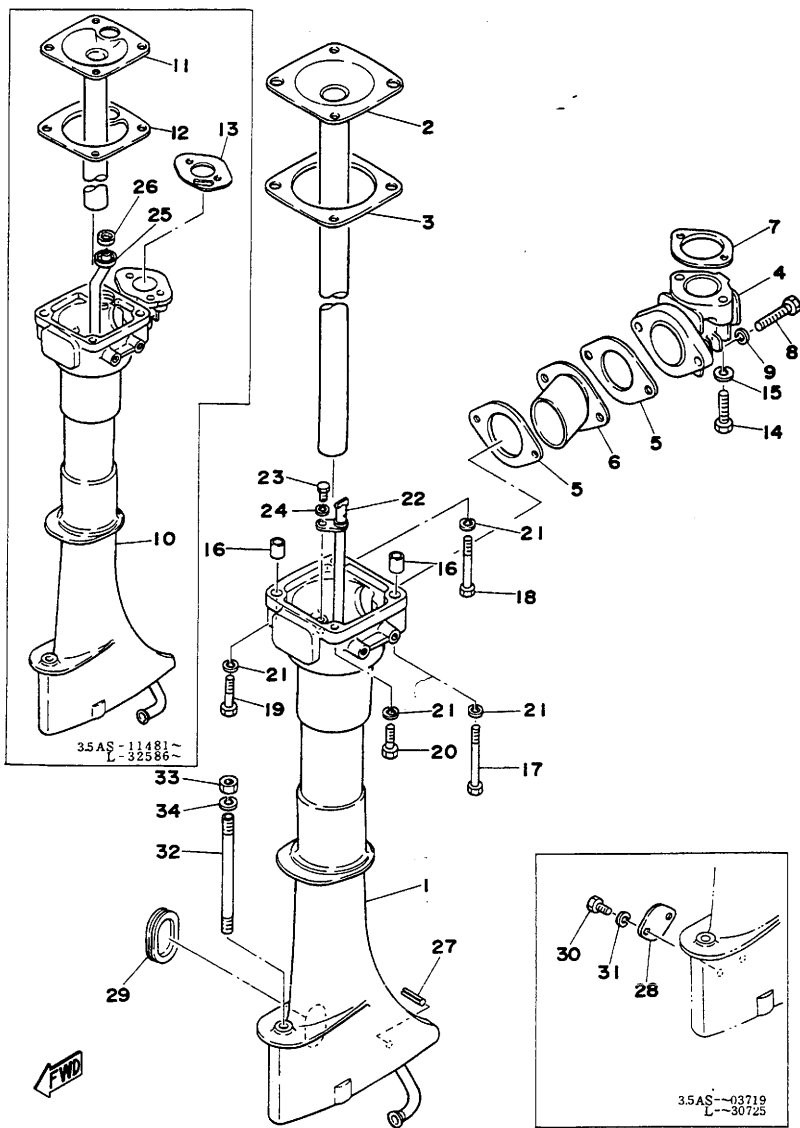




# CARBURETOR

Ref. No.	Parts No.	Description	Q'ty		Applicable Machine No.	Remarks
			35A	35AC		
4-26	624-14181-00	. BODY, float chamber	1	1	3.5AS. ~06680 L. ~31335 3.5ACS. ~09925 L. ~35235 3.5AS-06681 ~ L-31336 ~ 3.5ACS-09926 ~ L-35236 ~	
	624-14181-01	. BODY, float chamber	1	1		
4-27	620-14184-00	. GASKET, float chamber	1	1	3.5AS. ~06680 L. ~31335 3.5ACS. ~09925 L. ~35235 3.5AS-06681 ~ L-31336 ~ 3.5ACS-09926 ~ L-35236 ~	
☆	620-14199-00	. GASKET	1	1		
4-28	98501-04012	. SCREW, cylinderhead	3	3		
4-29	92901-04100	. WASHER, spring	3	3		
4-30	730-14245-00	. BOLT	1	1	3.5AS-06681 ~ L. ~31336 ~ 3.5ACS-09926 ~ L-35236 ~	
4-31	831-14979-00	. WASHER	1	1		
4-32	137-14135-00	. SPRING, plunger	1	1		
4-33	620-14222-00	. VALVE, drain	1	1	3.5AS. ~06680 L. ~31335 3.5ACS. ~09925 L. ~35235 3.5AS-06681 ~ L-31336 ~ 3.5ACS-09926 ~ L-35236 ~	
	622-14222-01	. VALVE, drain	1	1		
4-34	620-14237-00	. PACKING 2	1	1		
4-35	620-14223-00	. SPRING, drain valve	1	1	3.5AS. ~06680 L. ~31335 3.5ACS. ~09925 L. ~35235 3.5AS-06681 ~ L-31336 ~ 3.5ACS-09926 ~ L-35236 ~	
4-36	620-14242-00	. GUIDE, spring	1	1		
4-37	620-14227-00	. PACKING 1	1	1		
4-38	620-14226-00	. CUP, drain	1	1	3.5AS. ~06680 L. ~31335 3.5ACS. ~09925 L. ~35235 3.5AS-06681 ~ L-31336 ~ 3.5ACS-09926 ~ L-35236 ~	
4-39	620-14243-00	. PLATE	1	1		
4-40	198-81245-11	. SCREW, panhead	2	2		
4-41	92901-03100	. WASHER, spring	2	2		
4-42	620-14246-00	. PUSH, button	1	1		
4-43	620-14225-00	. CAP	1	1		
4-44	647-14395-60	CAP, over flow pipe	2	2		

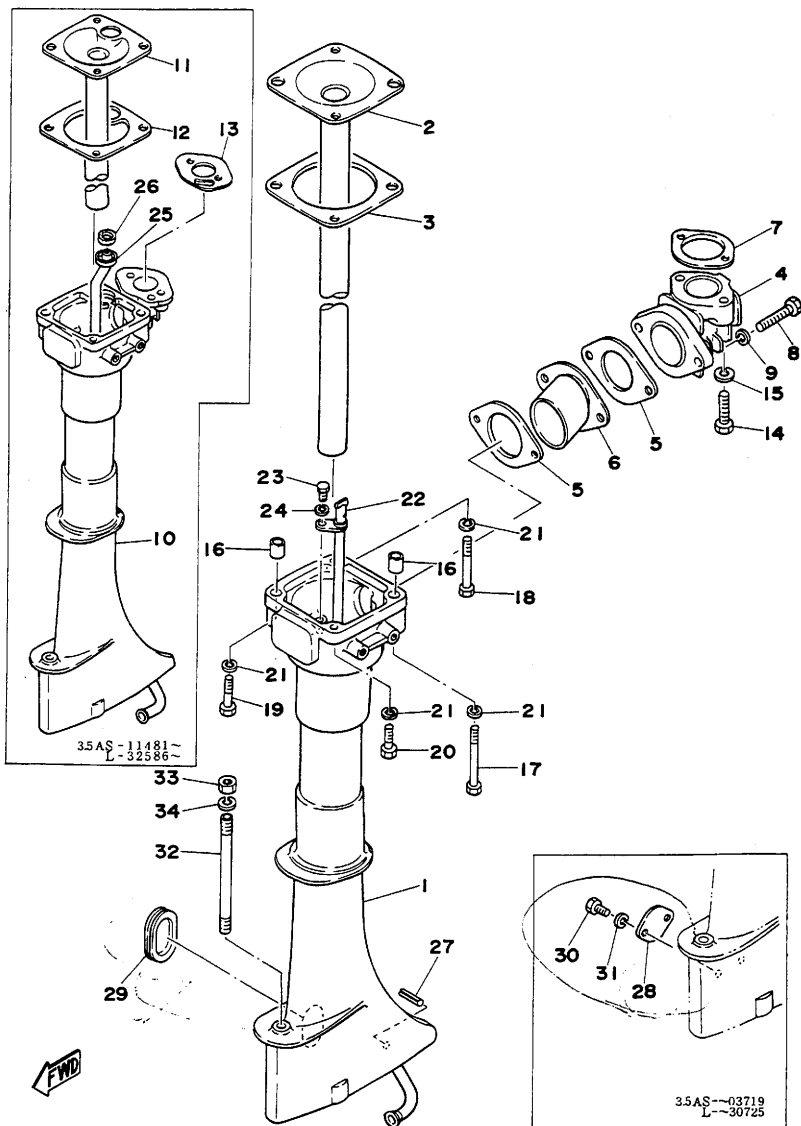
Fig. 5 UPPER CASING (Without Clutch)



# UPPER CASING (Without Clutch)

Ref. No.	Parts No.	Description	Q'ty 35A	Applicable Machine No.	Remarks
5- 1	624-45111-00-F6	CASING, upper (Standard 544.5mm)	1	3.5AS~03719	Metallic Ocean Blue
	624-45111-01-F6	CASING, upper (Standard 544.5mm)	1	3.5AS-03720~11295	Metallic Ocean Blue
	625-45111-01-F6	CASING, upper (Long 679.5mm)	1	3.5AL~32585	Metallic Ocean Blue
5- 2	654-45113-00	GASKET, upper casing 1 (Standard 542mm)	1	3.5AS~11295	
	654-45113-10	GASKET, upper casing 1 (Long 678mm)	1	3.5AL~32585	
◇ 5- 3	624-45114-00	GASKET, upper casing 2	1	} 3.5AS~11295 L~32585	Unify to 624-45114-01  Thermotight Silver
5- 4	624-41131-00-85	MANIFOLD, exhaust 1	1		
☆ 5- 5	624-41133-00	GASKET, exhaust manifold 1	2		
5- 6	624-41137-00	GUIDE, exhaust	1		
☆ 5- 7	624-41134-00	GASKET, exhaust manifold 2	1		
5- 8	97370-06025	BOLT, hexagon	2		
5- 9	92990-06100	WASHER, spring	2		
5-10	*624-45111-80-F6	CASING, upper (Standard 544.5mm)	1	3.5AS-11481~	Metallic Ocean Blue
	*625-45111-80-F6	CASING, upper (Long 679.5mm)	1	3.5AL-32586~	Metallic Ocean Blue
5-11	*654-45113-80	GASKET, upper casing 1 (Standard 542mm)	1	3.5AS-11481~	
	*654-45113-40	GASKET, upper casing 1 (Long 678mm)	1	3.5AL-32586~	
◆ 5-12	*624-45114-01	GASKET, upper casing 2	1	} 3.5AS-11481~ L-32586~	
★ 5-13	*624-41134-80	GASKET, exhaust manifold 2	1		
5-14	97370-06030	BOLT, hexagon	2		
5-15	92990-06100	WASHER, spring	2		
5-16	91830-22016	PIN, dowel A (8.4-12-16)	2		
5-17	97370-06065	BOLT, hexagon	1		
5-18	97370-06055	BOLT, hexagon	1		
5-19	97370-06035	BOLT, hexagon	1		
5-20	97370-06025	BOLT, hexagon	1		

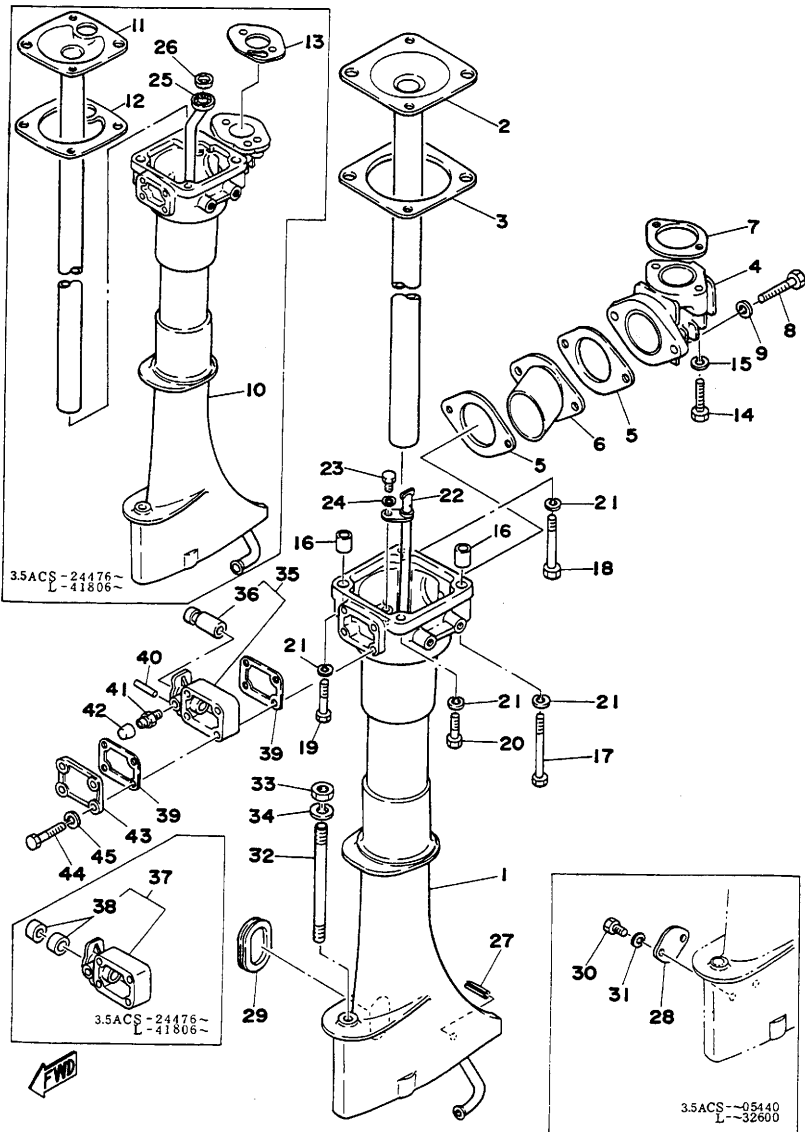
Fig. 5 UPPER CASING (Without Clutch)



## UPPER CASING (Without Clutch)

Ref. No.	Parts No.	Description	Q'ty 35A	Applicable Machine No.	Remarks
5-21	92990-06100	WASHER, spring	4		
5-22	624-44361-00	TUBE, water 1 (Standard 568.5mm)	1	} 3.5AS ~ 11295 L ~ 32585	
	625-44361-00	TUBE, water 1 (Long 703.5mm)	1		
5-23	97370-06015	BOLT, hexagon	1		
5-24	92990-06100	WASHER, spring	1		
5-25	*624-44361-80	TUBE, water 1 (Standard 589mm)	1	} 3.5AS ~ 11481 ~ L ~ 32586 ~	
	*625-44361-80	TUBE, water 1 (Long 724mm)	1		
★ 5-26	*654-44365-80	RUBBER, water seal 1	1		
5-27	91690-35025	PIN, spring	1		
5-28	624-45151-00-F6	COVER, upper casing	1	} 3.5AS ~ 03719 L ~ 30725	} Metallic Ocean Blue
5-29	654-45151-01	COVER, upper casing 1	1	} 3.5AS ~ 03720 ~ L ~ 30726 ~	
5-30	97370-06010	BOLT, hexagon	2	} 3.5AS ~ 03719 L ~ 30725	
5-31	92990-06100	WASHER, spring	2		
5-32	90116-08071	BOLT, stud (624-45381-00)	1	} 3.5AS ~ 06600 L ~ 31335	
	90116-08110	BOLT, stud	1	} 3.5AS ~ 06601 ~ L ~ 31336 ~	
5-33	95380-08600	NUT, hexagon	1		
5-34	92990-08100	WASHER, spring	1		

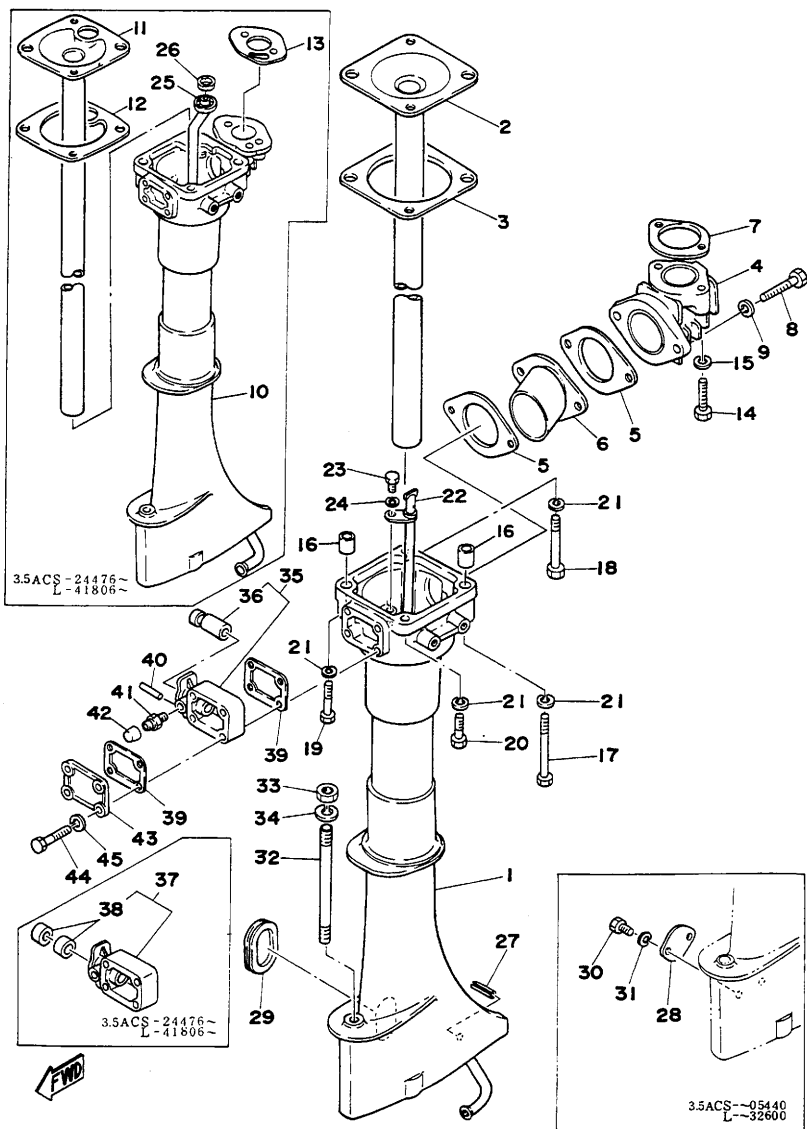
Fig. 6 UPPER CASING (With Clutch)



# UPPER CASING (With Clutch)

Ref. No.	Parts No.	Description	Q'ty 3.5AC	Applicable Machine No.	Remarks
6- 1	642-45111-00-F6	CASING, upper (Standard 544.5mm)	1	3.5ACS~05440	Metallic Ocean Blue
	642-45111-01-F6	CASING, upper (Standard 544.5mm)	1	3.5ACS-05441~23810	Metallic Ocean Blue
	643-45111-00-F6	CASING, upper (Long 679.5mm)	1	3.5ACL~32600	Metallic Ocean Blue
	643-45111-01-F6	CASING, upper (Long 679.5mm)	1	3.5ACL-32601~41690	Metallic Ocean Blue
6- 2	654-45113-00	GASKET, upper casing 1 (Standard 542mm)	1	3.5ACS~23810	
	654-45113-10	GASKET, upper casing 1 (Long 678mm)	1	3.5ACL~41690	
○6- 3	624-45114-00	GASKET, upper casing 2	1	} 3.5ACS~23810 L~41090	} Unify to 624-45114-01 Thermotight Silver
6- 4	624-41131-00-85	MANIFOLD, exhaust 1	1		
☆6- 5	624-41133-00	GASKET, exhaust manifold 1	2		
6- 6	624-41137-00	GUIDE, exhaust	1		
☆6- 7	624-41134-00	GASKET, exhaust manifold 2	1		
6- 8	97370-06025	BOLT, hexagon	2		
6- 9	92990-06100	WASHER, spring	2		
6-10	*642-45111-80-F6	CASING, upper (Standard 544.5mm)	1	3.5ACS-24476~	Metallic Ocean Blue
	*643-45111-80-F6	CASING, upper (Long 679.5mm)	1	3.5ACL-41806~	Metallic Ocean Blue
6-11	*654-45113-80	GASKET, upper casing 1 (Standard 542mm)	1	3.5ACS-24476~	
	*654-45113-40	GASKET, upper casing 1 (Long 678mm)	1	3.5ACL-41806~	
○6-12	*624-45114-01	GASKET, upper casing 2	1	} 3.5ACS-24476~ L-41806~	
★6-13	*624-41134-80	GASKET, exhaust manifold 2	1		
6-14	97370-06030	BOLT, hexagon	2		
6-15	92990-06100	WASHER, spring	2		
6-16	91830-22016	PIN, dowel A (8.4-12-16)	2		
6-17	97370-06065	BOLT, hexagon	1		
6-18	97370-06055	BOLT, hexagon	1		
6-19	97370-06035	BOLT, hexagon	1		
6-20	97370-06025	BOLT, hexagon	1		

Fig. 6 UPPER CASING (With Clutch)

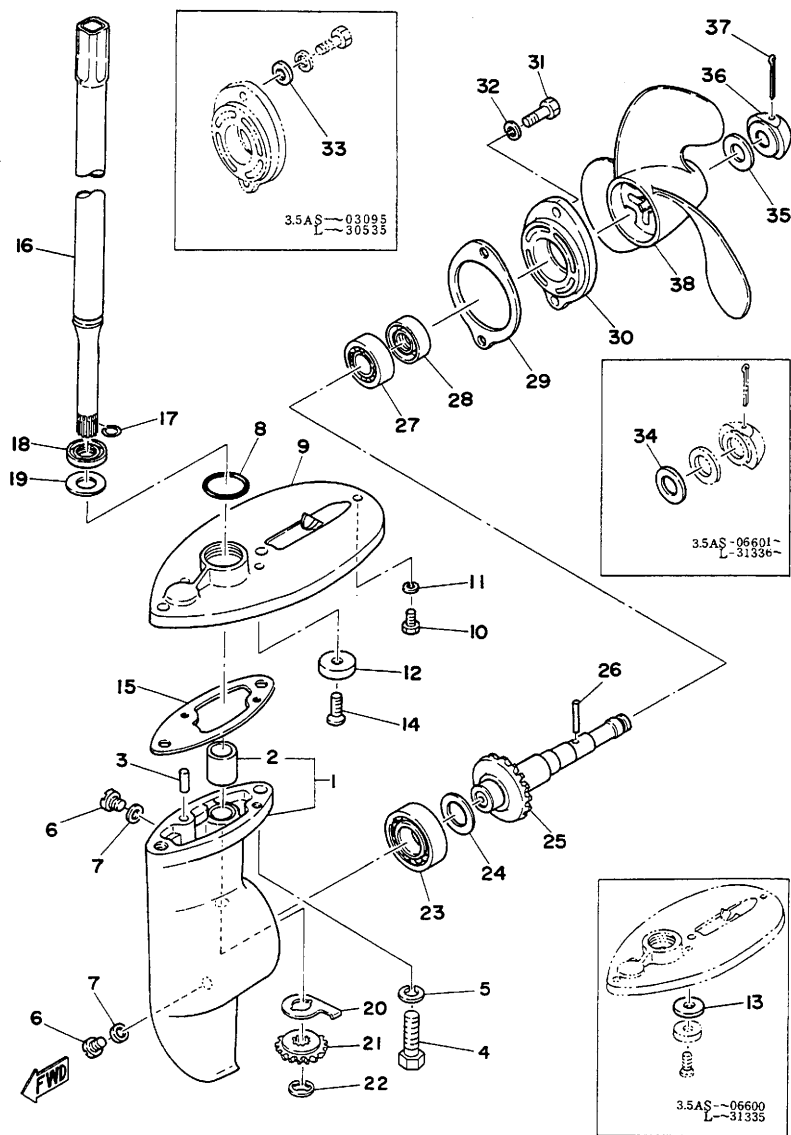




# UPPER CASING (With Clutch)

Ref. No.	Parts No.	Description	Q'ty 3.5AC	Applicable Machine No.	Remarks
6-21	92990-06100	WASHER, spring	4		
6-22	624-44361-00	TUBE, water l (Standard 568.5mm)	1	3.5ACS-23810 L-41690	
	625-44361-00	TUBE, water l (Long 703.5mm)	1		
6-23	97370-06015	BOLT, hexagon	1		
6-24	92990-06100	WASHER, spring	1		
6-25	*624-44361-80	TUBE, water l (Standard 589mm)	1	3.5ACS-24476~ L-41806~	
	*625-44361-80	TUBE, water l (Long 724mm)	1		
★6-26	*654-44365-80	RUBBER, water seal l	1		
6-27	91690-35025	PIN, spring	1		
6-28	624-45151-00-F6	COVER, upper casing	1	{ 3.5ACS-05440 L-32600	Metallic Ocean Blue
6-29	654-45151-01	COVER, upper casing l	1	{ 3.5ACS-05441~ L-32601~	
6-30	97370-06010	BOLT, hexagon	2	3.5ACS-05440 L-32600	
6-31	92990-06100	WASHER, spring	2		
6-32	90116-08071	BOLT, stud (624-45381-00)	1	{ 3.5ACS-09625 L-34910	
	90116-08110	BOLT, stud	1	{ 3.5ACS-09626~ L-34911~	
6-33	95380-08600	NUT, hexagon	1		
6-34	92990-08100	WASHER, spring	1		
6-35	642-45270-00-F6	SHIFTER CASING ASS'Y	1	3.5ACS-23740 L-41690	Metallic Ocean Blue
6-36	642-44122-00	. BUSHING, shift rod lever	1		
6-37	*642-45270-01-F6	SHIFTER CASING ASS'Y	1	3.5ACS-24476~ L-41806~	Metallic Ocean Blue
6-38	*90386-10087	. BUSHING	2		
◇6-39	642-45273-00	GASKET, shifter casing	2		
6-40	93605-20064	PIN, dowel B (5-19.8)	1		
6-41	93700-06004	NIPPLE, grease	1		
6-42	663-45119-00	CAP, grease nipple	1		
6-43	642-45274-00-F6	COVER, shifter casing	1		Metallic Ocean Blue
6-44	97370-06035	BOLT, hexagon	4		
6-45	92990-06100	WASHER, spring	4		

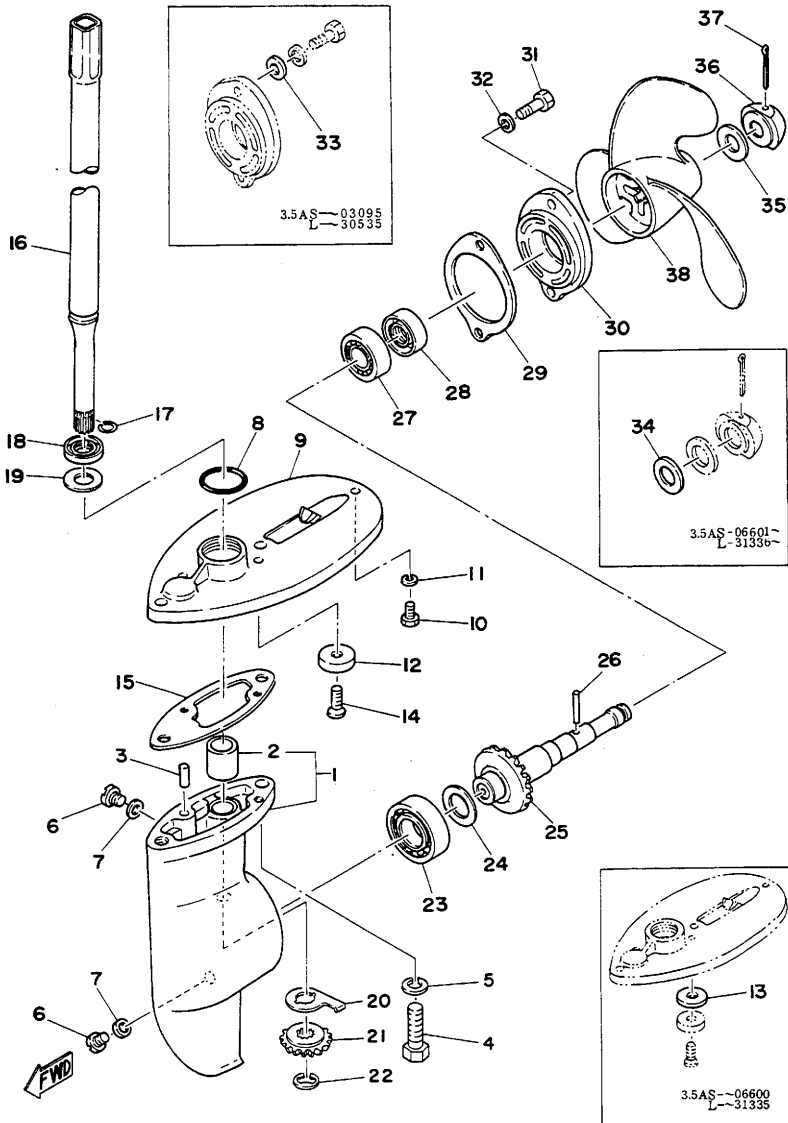
Fig. 7 LOWER CASING · DRIVE (Without Clutch)



# LOWER CASING DRIVE (Without Clutch)

Ref. No.	Parts No.	Description	Q'ty 3.5A	Applicable Machine No.	Remarks
7- 1	624-45310-00-F6	LOWER CASING ASS'Y	1		Metallic Ocean Blue
7- 2	90382-12011	. BUSHING (624-45316-09)	2		
7- 3	93606-15020	PIN, dowel B (6-15)	2		
7- 4	97370-08030	BOLT, hexagon	1		
7- 5	92990-08100	WASHER, spring	1		
7- 6	90340-08014	PLUG, straight (647-45341-00)	2		
◇7- 7	90430-08020	GASKET (604-45342-00)	2		
◆7- 8	93210-24108	O-RING (2.5-24)	1		
7- 9	624-45181-00-F6	PLATE	1		Metallic Ocean Blue
7-10	97370-05012	BOLT, hexagon	1		
7-11	92990-05100	WASHER, spring	1		
7-12	616-45251-30	ANODE	1		
7-13	616-45252-30	SEAT	1	(3.5AS ~ 06600 L ~ 31335)	
7-14	92180-06015	SCREW, ovalhead	1		
◇7-15	642-45315-00	PACKING, lower casing	1		
7-16	624-45510-03	DRIVE SHAFT ASS'Y (Standard 632mm)	1		
	625-45510-03	DRIVE SHAFT ASS'Y (Long 769mm)	1		
7-17	624-45531-00	CLIP, drive shaft	1		
7-18	93102-12059	OIL SEAL (SD-12-24.5-5)	1		
7-19	624-45534-00-03	WASHER, thrust (12.3-26-0.3)	1	} U.R	
	624-45534-00-05	WASHER, thrust (12.3-26-0.5)			
7-20	624-45533-01	THRUST WASHER, drive shaft	1		
7-21	615-45551-01	PINION (10T)	1		
7-22	93430-07012	CIRCLIP (E-7)	1		
7-23	93306-00401	BEARING (B6004)	1		
7-24	624-45567-00-03	SHIM, gear adjust (20.3-28-0.3)	1	} U.R	
	624-45567-00-05	SHIM, gear adjust (20.3-28-0.5)			
7-25	624-45560-00	GEAR 1 ASS'Y	1	(3.5AS ~ 06600 L ~ 31335)	
	624-45560-01	GEAR 1 ASS'Y	1	(3.5AS-06601 ~ L-31336 ~	

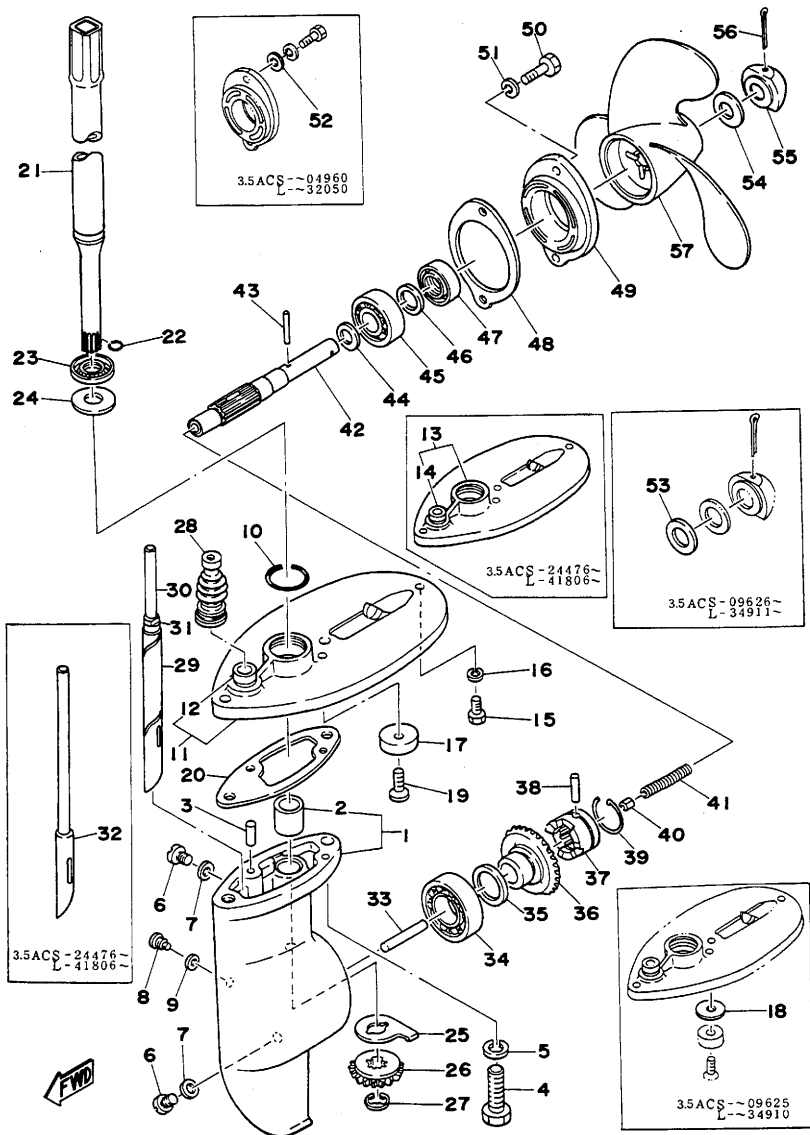
Fig. 7 LOWER CASING - DRIVE (Without Clutch)



## LOWER CASING DRIVE (Without Clutch)

Ref. No.	Parts No.	Description	Q'ty 3.5A	Applicable Machine No.	Remarks
7-26	90250-05009	PIN, shear (603-45615-00)	..... 1		
7-27	93306-20201	BEARING (B6202)	..... 1		
7-28	93103-14050	OIL SEAL (SW-14-27-10)	..... 1		
7-29	624-45363-00	GASKET, lower casing cap	..... 1		
7-30	624-45361-00-F6	CAP, lower casing	..... 1		Metallic Ocean Blue
7-31	97370-06020	BOLT, hexagon	..... 2		
7-32	92990-06100	WASHER, spring	..... 2		
7-33	92990-06200	WASHER, plain	..... 2	{3.5AS-03095 L-30535	
7-34	90202-13033	WASHER, plate	..... 1	{3.5AS-06601- L-31336-	
7-35	90201-13204	WASHER (620-45618-00)	..... 1		
7-36	620-45619-00	CAP	..... 1		
7-37	91490-30035	PIN, cotter	..... 1		
7-38	624-45942-01-36	PROPELLER 2 (3 x 7½ x 4 -B)	} U.R 1		White
	624-45915-01-36	PROPELLER ASS'Y 3 (2 x 7 x 5½ -B)			White
	624-45926-01-36	PROPELLER ASS'Y 8 (2 x 7½ x 4 -B)			White
	624-45943-01-36	PROPELLER ASS'Y 2 (3 x 7½ x 4 -B)			White
	642-45915-01-36	PROPELLER ASS'Y 3 (2 x 7½ x 4¾ -B)			White

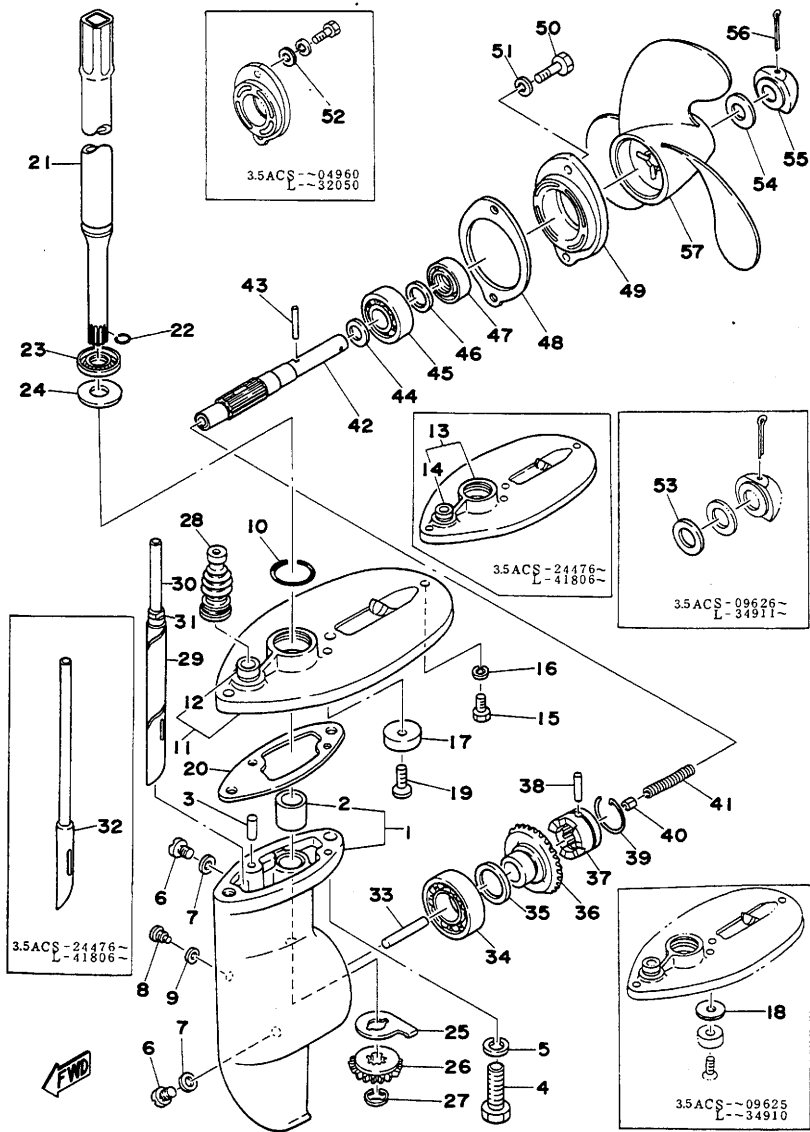
Fig. 8 LOWER CASING-DRIVE (With Clutch)



# LOWER CASING DRIVE (With Clutch)

Ref. No.	Parts No.	Description	Qty 3.5AC	Applicable Machine No.	Remarks
8- 1	642-45310-00-F6	LOWER CASING ASS'Y	1		Metallic Ocean Blue
8- 2	90382-12010	. BUSHING	2		
8- 3	93606-15020	PIN, dowel B (6-15)	2		
8- 4	97370-08030	BOLT, hexagon	1		
8- 5	92990-08100	WASHER, spring	1		
8- 6	90340-08014	PLUG, straight (647-45341-00)	2		
◇8- 7	90430-08020	GASKET (604-45342-00)	2		
8- 8	90149-08001	SCREW, detent	1		
◇8- 9	90430-05008	GASKET (611-44166-00)	1		
◇8-10	93210-24108	O-RING (2.5-24)	1		
8-11	642-45180-00-F6	PLATE ASS'Y	1	3.5ACS ~ 23740 L ~ 41690	Metallic Ocean Blue
8-12	642-44152-01	. BUSHING, shift cam	1		
8-13	* 642-45180-01-F6	PLATE ASS'Y	1	3.5ACS 24476 ~ L 41806 ~	Metallic Ocean Blue
8-14	* 647-44152-01	. BUSHING, shift cam	1		
8-15	97370-05012	BOLT, hexagon	1		
8-16	92990-05100	WASHER, spring	1		
8-17	616-45251-30	ANODE	1		
8-18	616-45252-30	SEAT	1	(3.5ACS ~ 09625 L ~ 34910)	
8-19	92180-06015	SCREW, ovalhead	1		
◇8-20	642-45315-00	PACKING, lower casing	1		
8-21	624-45510-03	DRIVE SHAFT ASS'Y (Standard 632mm)	1		
	625-45510-03	DRIVE SHAFT ASS'Y (Long 769mm)	1		
8-22	624-45531-00	CLIP, drive shaft	1		
8-23	93102-12059	OIL SEAL (SD-12-24.5-5)	1		
8-24	624-45534-00-03	WASHER, thrust (12.3-26-0.3)	U.R 1		
	624-45534-00-05	WASHER, thrust (12.3-26-0.5)			
8-25	624-45533-01	THRUST WASHER, drive shaft 1	1		
8-26	615-45551-01	PINION (10T)	1		

Fig. 8 LOWER CASING DRIVE (With Clutch)





# LOWER CASING DRIVE (With Clutch)

Ref. No.	Parts No.	Description	Q'ty 3.5AC	Applicable Machine No.	Remarks
8-27	93430-07012	CIRCLIP (E-7)	1		
8-28	615-44147-00	BOOT, shift rod	1		
8-29	642-44151-00	CAM, shift	1	} 3.5ACS ~ 23740 L ~ 41690	
8-30	642-44144-00	ROD, shift 2	1		
8-31	642-44149-00	LOCK NUT, shift rod 2	1	} 3.5ACS ~ 09625 L ~ 34910	
	642-44149-01	LOCK NUT, shift rod 2	1	} 3.5ACS-09626 ~ 23740 L-34911 ~ 41690	
8-32	* 642-44150-00	SHIFT CAM ASS'Y	1	} 3.5ACS-24476 ~ L-41806 ~	
8-33	654-45635-00	PLUNGER, shift	1		
8-34	93306-00401	BEARING (B6004)	1		
8-35	624-45567-00-03	SHIM, gear adjust 1 (20.3-28-0.3)	} U.R 1		
	624-45567-00-05	SHIM, gear adjust 1 (20.3-28-0.5)			
8-36	642-45560-01	GEAR 1 ASS'Y	1		
8-37	642-45631-02	CLUTCH, dog	1		
8-38	90250-05046	PIN, cross	1		
8-39	93440-24038	RING, cross pin	1		
8-40	642-45634-00	SLIDE, shift	1		
8-41	90501-10063	SPRING, shift (620-45636-01)	1		
8-42	642-45611-00	SHAFT, propeller	1	} 3.5ACS ~ 09625 L ~ 34910	
	642-45611-01	SHAFT, propeller	1	} 3.5ACS-09626 ~ L-34911 ~	
8-43	90250-05009	PIN, shear (603-45615-00)	1		
8-44	90201-12164	WASHER, thrust (642-45566-00)	1	} 3.5ACS ~ 6020 L ~ 38865	
8-45	93306-20201	BEARING (B6202)	1		
8-46	131-15644-00-10	SHIM (15.3-22-1.0)	} U.R 1		
	131-15644-00-12	SHIM (15.3-22-1.2)			
	131-15644-00-16	SHIM (15.3-22-1.6)			
8-47	93103-14050	OIL SEAL (SW-14-27-10)	1		
8-48	624-45363-00	GASKET, lower casing cap	1		
8-49	624-45361-00-F6	CAP, lower casing	1		Metallic Ocean Blue
8-50	97370-06020	BOLT, hexagon	2		

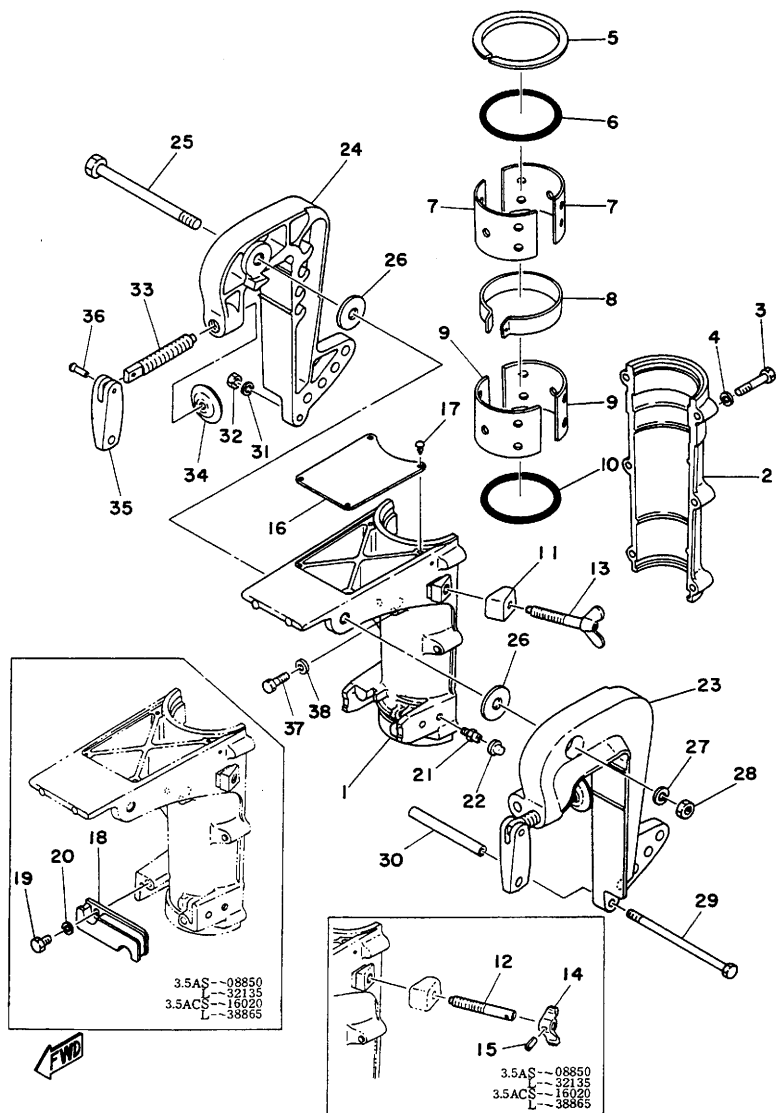


## LOWER CASING DRIVE (With Clutch)

Ref. No.	Parts No.	Description	Q'ty 3.5AC	Applicable Machine No.	Remarks
8-51	92990-06100	WASHER, spring .....	2		
8-52	92990-06200	WASHER, plain .....	2	{ 3.5ACS ~ 04960 L ~ 32050	
8-53	90202-13033	WASHER, plate .....	1	{ 3.5ACS-09626 ~ L-34911 ~	
8-54	620-45621-00-10	WASHER 2 (13-26-1.0) .....	1	{ 3.5ACS ~ 11720 L ~ 36710	
	620-45621-00-15	WASHER 2 (13-26-1.5) .....	1		
8-55	620-45619-00	CAP .....	1		
8-56	91490-30035	PIN, cotter .....	1		
8-57	624-45942-01-36	PROPELLER 2 (3 x 7 1/2 x 4 -B) .....	} U.R 1		White
	624-45915-01-36	PROPELLER ASS'Y 3 (2 x 7 x 5 1/2 -B) .....			White
	624-45926-01-36	PROPELLER ASS'Y 8 (2 x 7 1/2 x 4 -B) .....			White
	624-45943-01-36	PROPELLER ASS'Y 2 (3 x 7 1/2 x 4 -B) .....			White
	642-45915-01-36	PROPELLER ASS'Y 3 (2 x 7 1/2 x 4 3/8 -B) .....			White



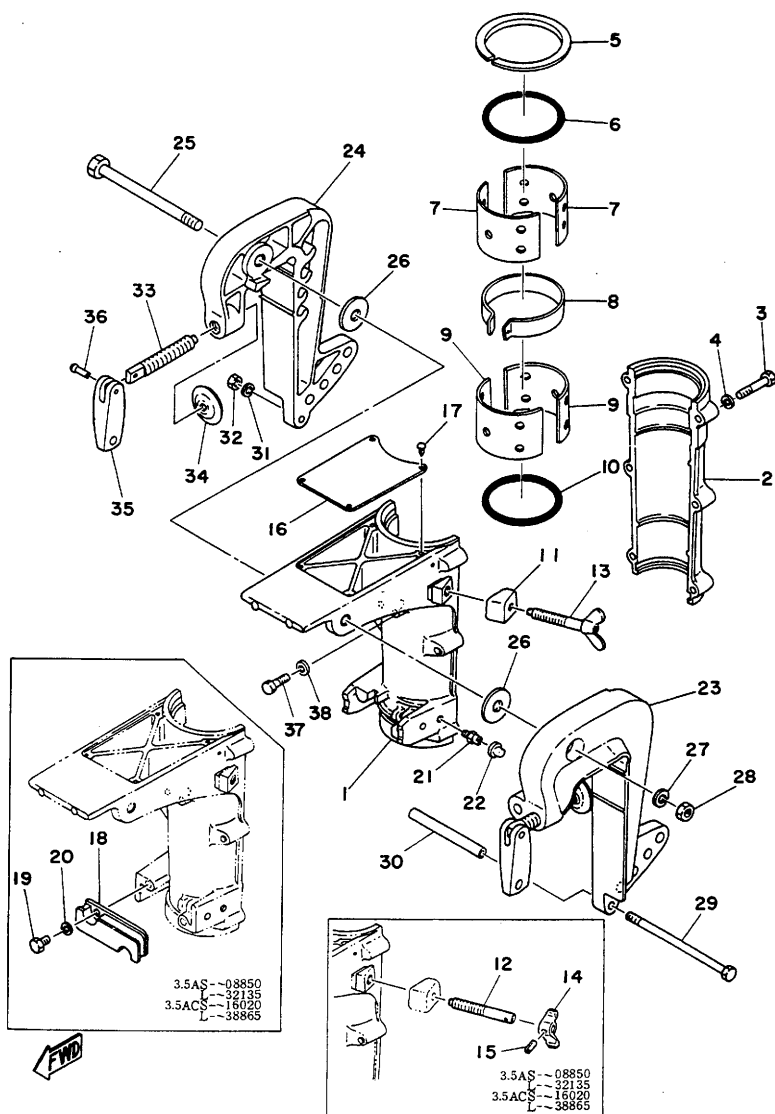
Fig. 9 BRACKET



# BRACKET

Ref. No.	Parts No.	Description	Q'ty		Applicable Machine No.	Remarks
			3.5A	3.5AC		
9- 1	620-43311-09-F6 BRACKET, swivel 1	.....	1	1	3.5AS. ~ 08850 L. ~ 32135 3.5ACS. ~ 16020 L. ~ 38865 3.5AS-08851 ~ L. 32136 ~ 3.5ACS-16021 ~ L. 38866 ~	Metallic Ocean Blue
	624-43311-00-F6 BRACKET, swivel 1	.....	1	1		
9- 2	620-43312-00-F6 BRACKET, swivel 2	.....	1	1		Metallic Ocean Blue
9- 3	97370-06035	BOLT, hexagon	6	6		
9- 4	92990-06100	WASHER, spring	6	6		
9- 5	90209-66017	WASHER (620-42535-00)	1	1		
9- 6	93210-61087	O-RING (4.2-61.3)	1	1		
9- 7	616-42537-01	BUSHING, pivot shaft	2	2		
9- 8	620-42528-00	PIECE, friction	1	1		
9- 9	615-42537-00	BUSHING, pivot shaft 1	2	2	3.5AS. ~ 06600 L. ~ 31335 3.5ACS. ~ 09625 L. ~ 34910 3.5AS-06601 ~ L. 31336 ~ 3.5ACS-09626 ~ L. 34911 ~	
	615-42537-01	BUSHING, pivot shaft 1	2	2		
9-10	93210-57086	O-RING (6.1-57.2)	1	1		
9-11	620-43383-00	SEAL, rubber	1	1		
9-12	90149-08028	SCREW (620-42529-00)	1	1	3.5AS. ~ 08850 L. ~ 32135 3.5ACS. ~ 16020 L. ~ 38865 3.5AS-08851 ~ L. 32136 ~ 3.5ACS-16021 ~ L. 38866 ~	
9-13	624-42529-00	SCREW	1	1		
9-14	616-43372-00-F6 NUT, wing	.....	1	1	3.5AS. ~ 08850 L. ~ 32135 3.5ACS. ~ 16020 L. ~ 38865	Metallic Ocean Blue
9-15	91690-25014	PIN, spring	1	1		
9-16	620-43318-00-F6 COVER	.....	1	1		Metallic Ocean Blue
9-17	90269-02002	RIVET (620-43397-00)	4	4		
9-18	611-43350-03-F6 RECEIVER ASS'Y	.....	1	1	3.5AS. ~ 08850 L. ~ 32135 3.5ACS. ~ 16020 L. ~ 38865	Metallic Ocean Blue
9-19	97370-06012	BOLT, hexagon	2	2		
9-20	92990-06100	WASHER, spring	2	2		
9-21	93700-06004	NIPPLE, grease	1	1		
9-22	663-45119-00	CAP, grease nipple	1	1		
9-23	620-43111-00-F6 BRACKET, clamp 1	.....	1	1		Metallic Ocean Blue
9-24	620-43112-00-F6 BRACKET, clamp 2	.....	1	1		Metallic Ocean Blue
9-25	90101-10073	BOLT (620-43131-00)	1	1		
9-26	90201-10524	WASHER, plate	2	2		
9-27	92990-10100	WASHER, spring	1	1		

Fig. 9 BRACKET

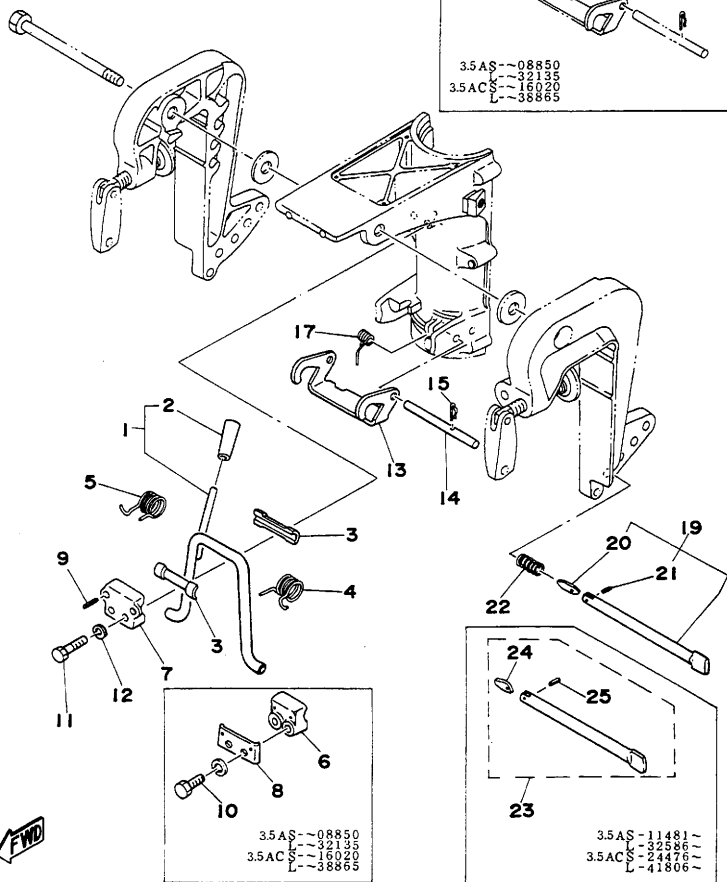
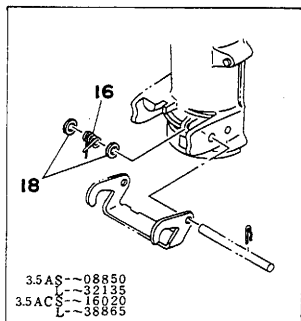


# BRACKET

Ref. No.	Parts No.	Description	Q'ty		Applicable Machine No.	Remarks
			3.5A	3.5AC		
9-28	95380-10600	NUT, hexagon	1	1		
9-29	97370-06120	BOLT, hexagon	1	1		
	90101-06335	BOLT, hexagon	1	1		
9-30	90560-07008	SPACER (620-43141-00)	1	1		
9-31	92990-06100	WASHER, spring	1	1		
9-32	95380-06600	NUT, hexagon	1	1		
9-33	90149-12029	SCREW (620-43116-00)	2	2		
9-34	648-43114-01	PAD, transom clamp	2	2		
9-35	616-43118-00-F6	HANDLE, transom clamp	2	2		Metallic Ocean Blue
9-36	90243-04001	PIN (620-43117-00)	2	2		
9-37	97370-06010	BOLT, hexagon	2			
9-38	92990-06600	WASHER, plate	2			

3.5AS ~ 11295  
 L ~ 32585  
 3.5ACS ~ 23740  
 L ~ 41690  
 3.5AS-11481 ~  
 L-32586 ~  
 3.5ACS-24476 ~  
 L-41806 ~

Fig. 10 TILT LOCK

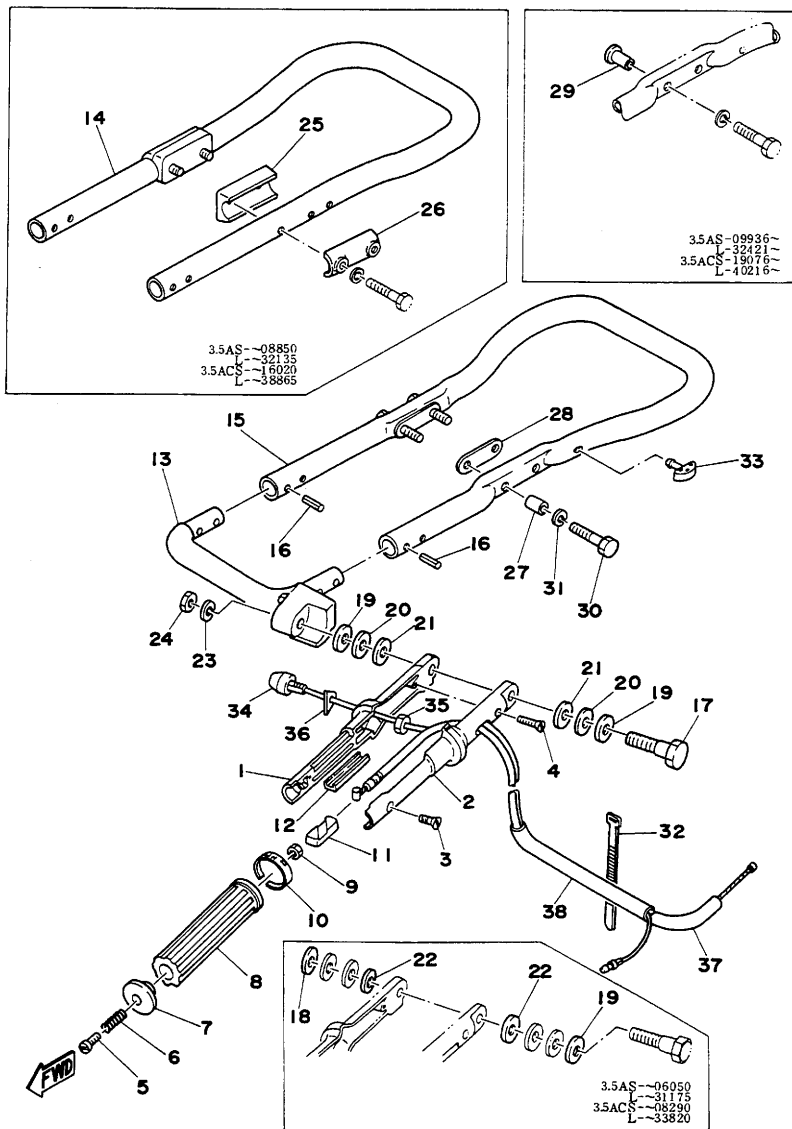




# TILT LOCK

Ref. No.	Parts No.	Description	Q'ty		Applicable Machine No.	Remarks	
			3.5A	3.5AC			
10- 1	620-43180-09	LEVER TILT STOP ASS'Y	.....	1			
10- 2	620-43632-00	. KNOB, tilt stop	.....	1			
10- 3	620-43189-00	BUSHING	.....	2			
10- 4	90508-20024	SPRING 1 (620-43188-00)	.....	1	3.5AS ~ 08850 L ~ 32135 3.5ACS ~ 16020 L ~ 38865		
	90508-16021	SPRING 1 (647-43188-00)	.....	1		3.5AS-08851 ~ L-32136 ~ 3.5ACS-16021 ~ L-38866 ~	
10- 5	90508-20025	SPRING 2 (620-43198-00)	.....	1	3.5AS ~ 08850 L ~ 32135 3.5ACS ~ 16020 L ~ 38865		
	90508-16020	SPRING 2 (647-43198-00)	.....	1		3.5AS-08851 ~ L-32136 ~ 3.5ACS-16021 ~ L-38866 ~	
10- 6	620-43313-00-F6	BRACKET, swivel 3	.....	1	3.5AS ~ 08850 L ~ 32135 3.5ACS ~ 16020 L ~ 38865	Metallic Ocean Blue	
10- 7	654-43313-00-F6	BRACKET, swivel 3	.....	1		3.5AS-08851 ~ L-32136 ~ 3.5ACS-16021 ~ L-38866 ~	Metallic Ocean Blue
10- 8	620-43319-00	PLATE	.....	1	3.5AS ~ 08850 L ~ 32135 3.5ACS ~ 16020 L ~ 38865		
10- 9	91690-25010	PIN, spring	.....	1			
10-10	97370-06030	BOLT, hexagon	.....	2	3.5AS ~ 08850 L ~ 32135 3.5ACS ~ 16020 L ~ 38865		
10-11	97370-06020	BOLT, hexagon	.....	2		3.5AS-08851 ~ L-32136 ~ 3.5ACS-16021 ~ L-38866 ~	
10-12	92990-06600	WASHER, plate	.....	2			
10-13	620-43651-00	LEVER, reverse lock	.....	1	1		
10-14	620-43659-00	SHAFT, reverse lock	.....	1	1		
10-15	90468-18008	PIN, hair (620-43661-00)	.....	1	1		
10-16	90508-16017	SPRING (620-43642-00)	.....	1	3.5AS ~ 08850 L ~ 32135 3.5ACS ~ 16020 L ~ 38865		
10-17	90508-18022	SPRING (647-43657-00)	.....	1		3.5AS-08851 ~ L-32136 ~ 3.5ACS-16021 ~ L-38866 ~	
10-18	90201-09117	WASHER (615-43673-00)	.....	2	2		
10-19	620-43160-00	TILT ROD ASS'Y	.....	1	1	3.5AS ~ 11295 L ~ 32585 3.5ACS ~ 23740 L ~ 41690	◇
10-20	601-43165-00	. STOPPER PLATE, tilt lock rod	.....	1	1		
10-21	91690-20008	. PIN, spring	.....	1	1		
10-22	90502-10014	SPRING (611-43162-00)	.....	1	1		
10-23	* 620-43160-01	TILT ROD ASS'Y	.....	1	1	3.5AS-11481 ~ L-32586 ~ 3.5ACS-24476 ~ L-41806 ~	
10-24	* 656-43165-01	. STOPPER PLATE, tilt lock rod	.....	1	1		
10-25	* 91690-30008	. PIN, spring	.....	1	1		

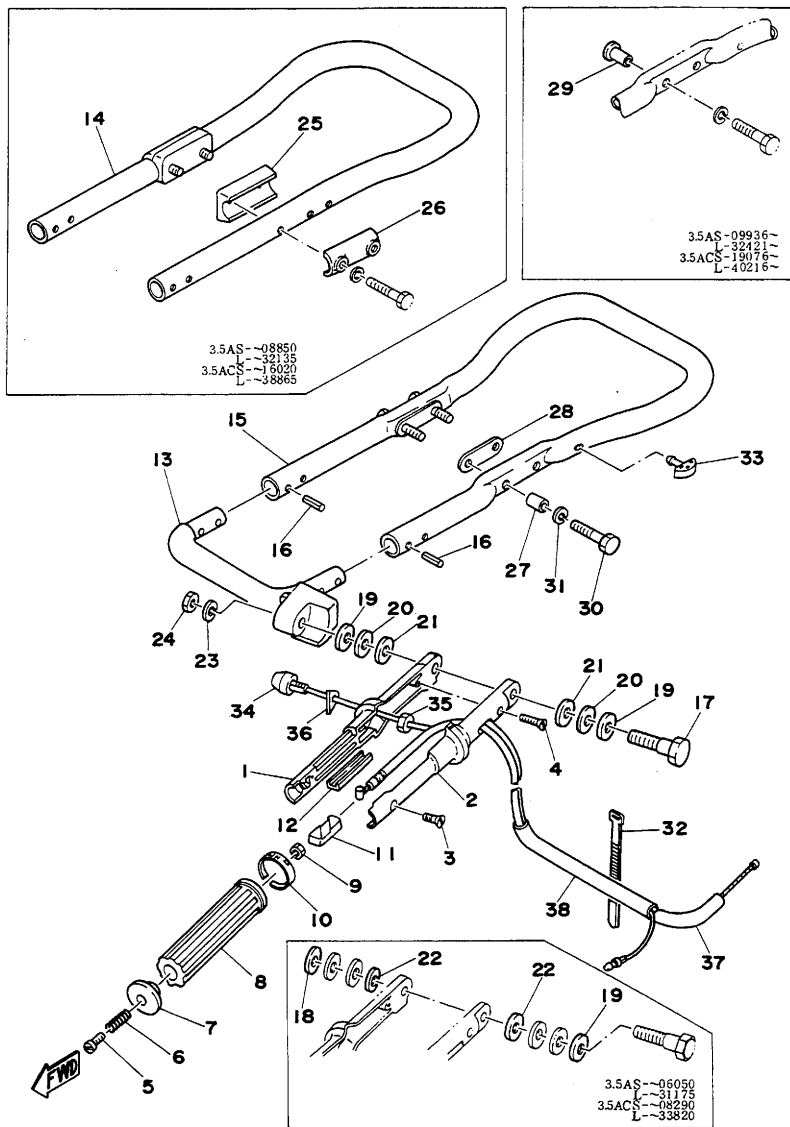
# Fig. 11 STEERING



# STEERING

Ref. No.	Parts No.	Description	Q'ty		Applicable Machine No.	Remarks
			3.5A	3.5AC		
11- 1	624-42111-02-F6	HANDLE, steering 1	1	1		Metallic Ocean Blue
11- 2	644-42112-01-F6	HANDLE, steering 2	1	1		Metallic Ocean Blue
11- 3	98680-04012	SCREW, ovalhead	1	1	3.5AS ~ 08850 L ~ 32135 3.5ACS ~ 16020 L ~ 38865 3.5AS-08851 L-32136~ 3.5ACS-16021~ L-38866~	
	98690-04015	SCREW, ovalhead	1	1		
11- 4	98680-04020	SCREW, ovalhead	1	1		
11- 5	98380-05020	SCREW, cylinderhead	1	1		
11- 6	90501-09053	SPRING (624-42127-00)	1	1		
11- 7	624-42126-00-58	FRICTION, steering handle grip	1	1		Superlack Black
11- 8	624-42119-01	GRIP, steering handle	1	1		
11- 9	95390-05600	NUT, hexagon	1	1		
11-10	624-42137-01	INDICATOR, throttle	1	1		
11-11	624-42122-00	SLIDER 2	1	1		
11-12	624-42171-00	BUSHING 1	1	1	3.5AS-06601~ L-31336~ 3.5ACS-09626~ L-34911~ 3.5AS ~ 06050 L ~ 31175 3.5ACS ~ 08290 L ~ 33820	
11-13	624-42112-02-F6	HANDLE, steering 2	1	1		
	624-42112-03-F6	HANDLE, steering 2	1	1	3.5AS-06051~ L-31176~ 3.5ACS-08291~ L-33821~ 3.5AS ~ 08850 L ~ 32135 3.5ACS ~ 16020 L ~ 38865	Metallic Ocean Blue
11-14	624-42511-01-F6	BRACKET, steering	1	1		
11-15	624-42511-02-F6	BRACKET, steering	1	1	3.5AS-08851~ L-32135~ 3.5ACS-16021~ L-38866~	Metallic Ocean Blue
11-16	91690-40020	PIN, spring	4	4		
11-17	90109-08037	BOLT, handle joint (624-42123-00)	1	1	3.5AS ~ 06050 L ~ 31175 3.5ACS ~ 08290 L ~ 33820 3.5AS-06051~ L-31176~ 3.5ACS-08291~ L-33821~	
	90109-08345	BOLT, handle joint	1	1		
11-18	90201-08108	WASHER 4 (624-42184-00)	1	1	3.5AS ~ 06050 L ~ 31175 3.5ACS ~ 08290 L ~ 33820	
11-19	90201-12181	WASHER 3 (624-42183-00)	1	1		
	90201-12181	WASHER 3 (624-42183-00)	2	2	3.5AS-06051~ L-31176~ 3.5ACS-08291~ L-33821~	
11-20	90202-11029	WASHER 2 (624-42182-00)	2	2		
11-21	90202-11028	WASHER 1 (624-42181-00)	2	2		
11-22	90201-09117	WASHER 1 (615-43673-00)	2	2	3.5AS ~ 08850 L ~ 32135 3.5ACS ~ 16020 L ~ 38865	
11-23	92990-08100	WASHER, spring	1	1		
11-24	95380-08700	NUT, hexagon	1	1		
11-25	624-42532-00-F6	COVER 1	2	2	3.5AS ~ 08850 L ~ 32135 3.5ACS ~ 16020 L ~ 38865	Metallic Ocean Blue
11-26	624-42533-00-F6	COVER 2	2	2		

# Fig. 11 STEERING



# STEERING

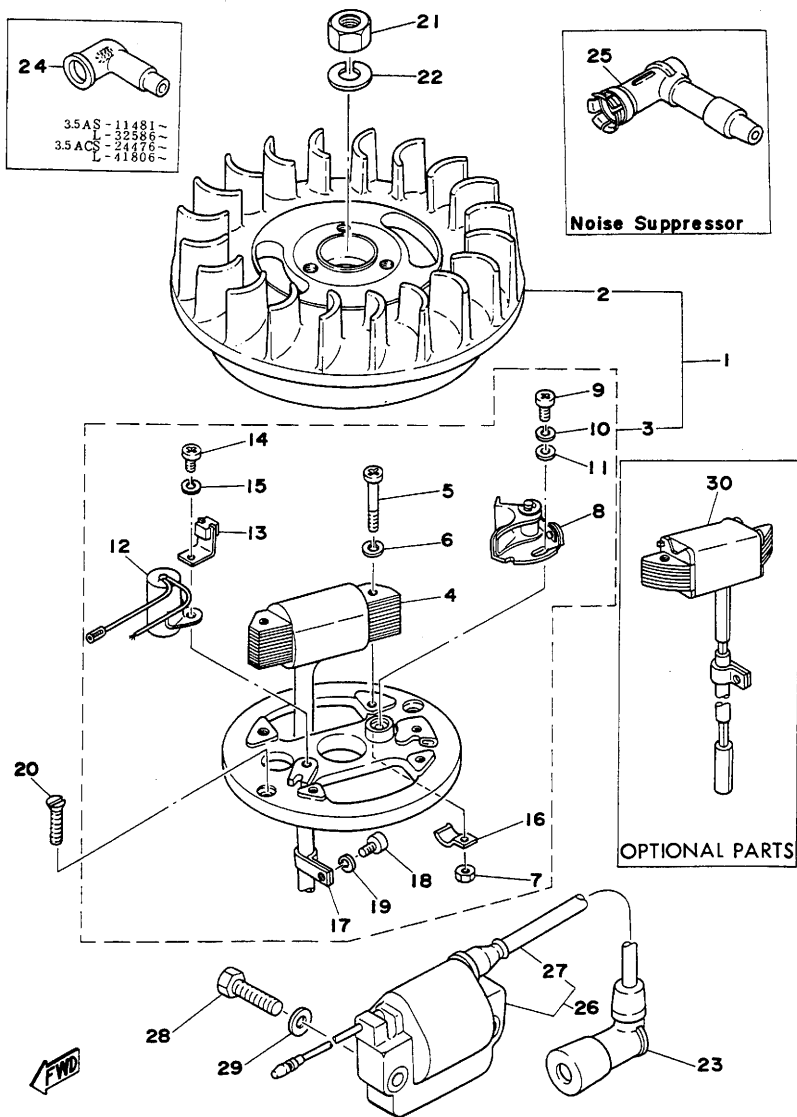
Ref. No.	Parts No.	Description	Q'ty		Applicable Machine No.	Remarks
			35A	35AC		
11-27	90387-06268	COLLAR	4	4	} 3.5AS-08851 ~ 09935 L-32136 ~ 32420 3.5ACS-16021 ~ 19075 L-38866 ~ 40215	
11-28	624-42548-00	WASHER	2	2		
11-29	624-42542-00	PIPE 1	4	4	} 3.5AS-09936 ~ L-32421 ~ 3.5ACS-19076 ~ L-40216 ~ 3.5AS ~ 08850 L ~ 32135	
11-30	97370-06040	BOLT, hexagon	4	4		3.5ACS ~ 16020 L ~ 38865
	97370-06030	BOLT, hexagon	4	4	} 3.5AS-08851 ~ L-32136 ~ 3.5ACS-16021 ~ L-38866 ~	
11-31	92990-06100	WASHER, spring	4	4		
11-32	168-83936-01	BAND, switch cord	1	1		
11-33	620-42591-00	HOLDER, shear pin	1	1		
11-34	624-82550-01	STOP SWITCH ASS'Y	1	1		
11-35	95390-08700	NUT, hexagon	1	1		
11-36	624-82556-00	STOPPER	1	1		
11-37	624-26301-03	THROTTLE WIRE ASS'Y	1	1		
11-38	90446-09010	TUBE (624-81318-00)	1	1		



# GEAR SHIFT (With Clutch)

Ref. No.	Parts No.	Description	Qty 3.5AC	Applicable Machine No.	Remarks
12- 1	642-44120-00	HANDLE GEAR SHIFT ASS'Y	... 1	{ 3.5ACS-~05890 L-~32820	
	642-44120-01	HANDLE GEAR SHIFT ASS'Y	... 1	{ 3.5ACS-05F91 ~ 23740 L-32821 ~ 41690	
12- 2	* 642-44120-02	HANDLE GEAR SHIFT ASS'Y	... 1	{ 3.5ACS-24476 ~ L-41806 ~	
12- 3	642-44111-00	HANDLE, gear shift	..... 1		
12- 4	90501-12085	SPRING (611-44116-00)	..... 1		
12- 5	93505-16006	BALL, steel (5/16 inch)	..... 1		
12- 6	642-44113-00	CAM PLATE, handle	..... 1		
12- 7	93430-08007	CIRCLIP (E-8)	..... 1		
12- 8	93210-07003	O-RING (1.9-6.8)	..... 1		
12- 9	642-44123-01	ARM, shift rod	..... 1	{ 3.5ACS-~05890 L-~32820	
	654-44123-00	ARM, shift rod	..... 1	{ 3.5ACS-05891 ~ L-32821 ~	
12-10	97270-05012	BOLT, hexagon	..... 1	{ 3.5ACS-~05890 L-~32820	
	97370-06012	BOLT, hexagon	..... 1	{ 3.5ACS-05891 ~ L-32821 ~	
12-11	92990-05100	WASHER, spring	..... 1	{ 3.5ACS-~05890 L-~32820	
	92990-06100	WASHER, spring	..... 1	{ 3.5ACS-05891 ~ L-32821 ~	
12-12	642-44142-00	JOINT	..... 1	{ 3.5ACS-~09625 L-~34910	
	90240-05038	JOINT	..... 1	{ 3.5ACS-09626 ~ L-34911 ~	
12-13	92990-05600	WASHER, plate	..... 1		
12-14	90468-10004	CLIP (626-41236-00)	..... 1	{ 3.5ACS-~09625 L-~34910	
	91490-16010	PIN, cotter	..... 1	{ 3.5ACS-09626 ~ L-34911 ~	
12-15	642-44143-01	ROD, shift 1 (Standard 466mm)	.. 1	3.5ACS-~10585	
	643-44143-01	ROD, shift 1 (Long 597mm)	.... 1	3.5ACL-~35680	
12-16	654-44143-01	ROD, shift 1 (Standard 464mm)	.. 1	3.5ACS-10586~	
	654-44143-11	ROD, shift 1 (Long 599mm)	.... 1	3.5ACL-35681~	
12-17	92990-06200	WASHER, plain	..... 1	} 3.5ACS-~10585 L-~35680	
12-18	91490-25012	PIN, cotter	..... 1		
12-19	616-44146-01	CONNECTOR, shift rod 2	..... 1		
12-20	616-44145-01	CONNECTOR, shift rod 1	..... 1		
12-21	97370-06020	BOLT, hexagon	..... 1		
12-22	92990-06100	WASHER, spring	..... 1		

Fig. 13 FLYWHEEL MAGNETO

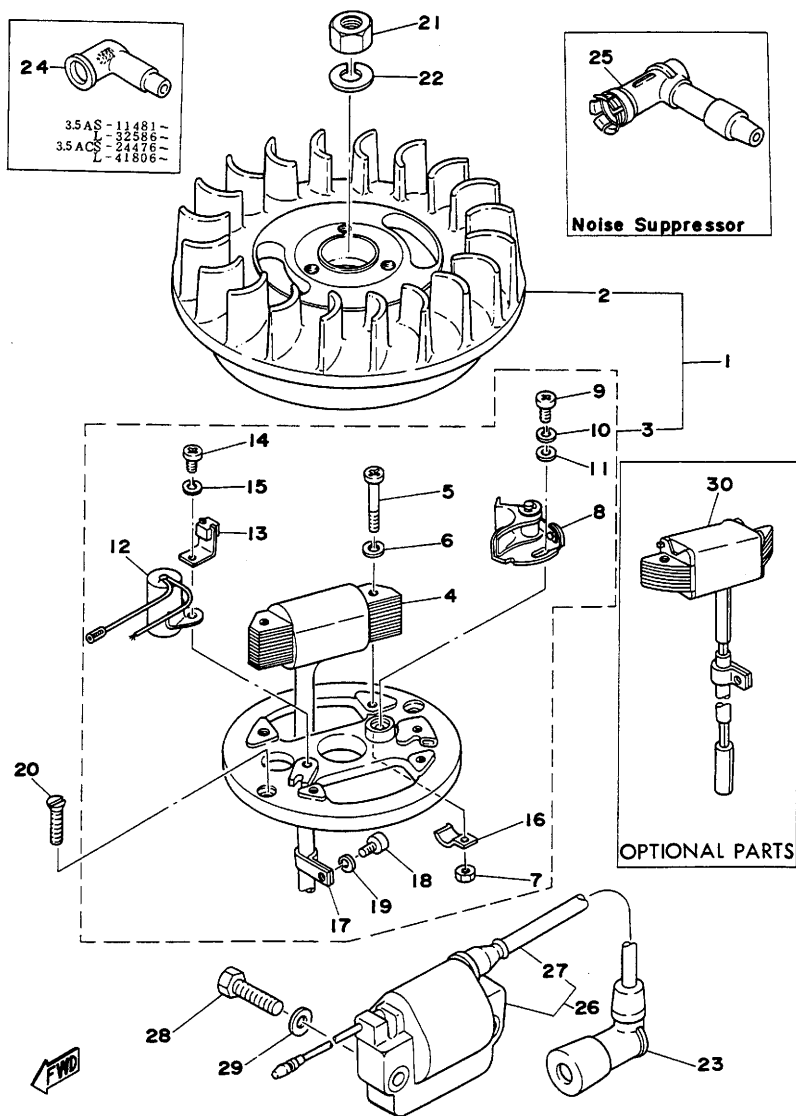




# FLYWHEEL MAGNETO

Ref. No.	Parts No.	Description	Q'ty		Applicable Machine No.	Remarks
			35A	35AC		
13- 1	619-81300-21	FLYWHEEL MAGNETO ASS'Y	.. 1	1	3.5AS ~ 09000 L ~ 32185 3.5ACS ~ 16425 L ~ 39263 3.5AS-09001 ~ 11295 L-32186 ~ 32585 3.5ACS-16426 ~ 23740 L-39264 ~ 41690	
	624-81300-20	FLYWHEEL MAGNETO ASS'Y	.. 1	1		
	* 624-81300-G0	FLYWHEEL MAGNETO ASS'Y	.. 1	1		
13- 2	603-81350-20	. ROTOR ASS'Y	..... 1	1	3.5AS-11481 ~ L-32586 ~ 3.5ACS-24476 ~ L-41806 ~ 3.5AS ~ 09000 L ~ 32185 3.5ACS ~ 16425 L ~ 39263 3.5AS-09001 ~ 11295 L-32186 ~ 32585 3.5ACS-16426 ~ 23740 L-39264 ~ 41690	
	624-81350-20	. ROTOR ASS'Y	..... 1	1		
	* 624-81350-G0	. ROTOR ASS'Y	..... 1	1		
13- 3	624-81310-20	. BASE ASS'Y	..... 1	1	3.5AS-11481 ~ L-32586 ~ 3.5ACS-24476 ~ L-41806 ~ 3.5AS ~ 11295 L ~ 32585 3.5ACS ~ 23740 L ~ 41690	
	* 624-81310-G0	. BASE ASS'Y	..... 1	1		
	620-81311-20	. COIL, ignition	..... 1	1		
13- 4	624-81311-20	. COIL, ignition	..... 1	1	3.5AS-11481 ~ L-32586 ~ 3.5ACS-24476 ~ L-41806 ~ 3.5AS ~ 09000 L ~ 32185 3.5ACS ~ 16425 L ~ 39263 3.5AS-09001 ~ 11295 L-32186 ~ 32585 3.5ACS-16426 ~ 23740 L-39264 ~ 41690	
	* 624-81311-G0	. COIL, ignition	..... 1	1		
	98502-04032	. SCREW, panhead	..... 2	2		
13- 6	92901-04100	. WASHER, spring	..... 2	2		
13- 7	95301-04600	. NUT, hexagon	..... 2	2		
13- 8	603-81321-20	. CONTACT BREAKER ASS'Y	.. 1	1	3.5AS ~ 09000 L ~ 32185 3.5ACS ~ 16425 L ~ 39263 3.5AS-09001 ~ L-32186 ~ 3.5ACS-16426 ~ 23740 L-39264 ~	
	624-81321-20	. CONTACT BREAKER ASS'Y	.. 1	1		
13- 9	98502-04012	. SCREW, panhead	..... 1	1		
13-10	92901-04100	. WASHER, spring	..... 1	1		
13-11	92901-04200	. WASHER, plain	..... 1	1		
13-12	603-81326-20	. CONDENSER	..... 1	1	3.5AS ~ 09000 L ~ 32185 3.5ACS ~ 16425 L ~ 39263 3.5AS-09001 ~ 11295 L-32186 ~ 32585 3.5ACS-16426 ~ 23740 L-39264 ~ 41690	
	617-81325-20	. CONDENSER	..... 1	1		
	* 624-81325-20	. CONDENSER	..... 1	1		
13-13	120-81331-20	. LUBRICATOR	..... 1	1	3.5AS-11481 ~ L-32586 ~ 3.5ACS-24476 ~ L-41806 ~ 3.5AS ~ 09000 L ~ 32185 3.5ACS ~ 16425 L ~ 39263 3.5AS-09001 ~ L-32186 ~ 3.5ACS-16426 ~ 23740 L-39264 ~	
	116-81331-20	. LUBRICATOR	..... 1	1		
13-14	98501-04008	. SCREW, panhead	..... 1	1		
13-15	92901-04100	. WASHER, spring	..... 1	1		
13-16	603-81317-20	. CLAMP, cord	..... 1	1		
13-17	603-81328-20	. CLAMP, lead	..... 1	1		
13-18	98502-04006	. SCREW, panhead	..... 1	1		

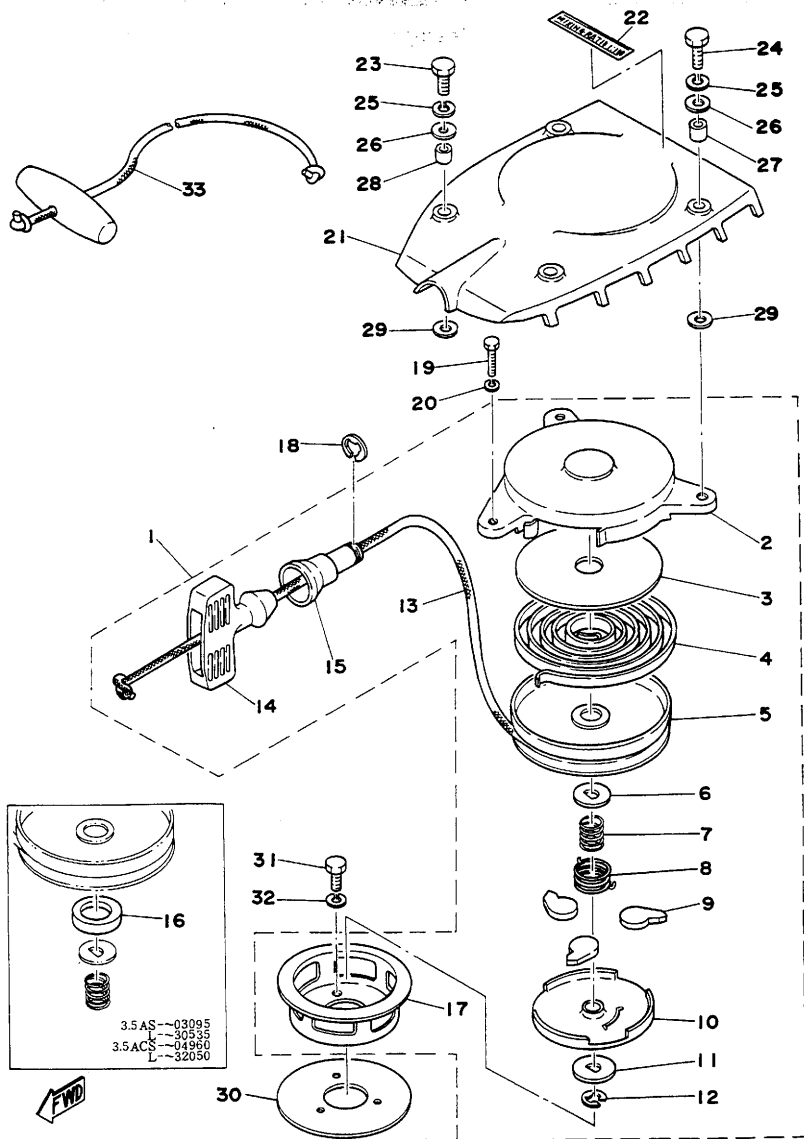
Fig. 13 FLYWHEEL MAGNETO



# FLYWHEEL MAGNETO

Ref. No.	Parts No.	Description	Q'ty		Applicable Machine No.	Remarks
			35A	35AC		
13-19	92901-04100	. . WASHER, spring	1	1		
13-20	98203-05012	SCREW, flathead	2	2		
13-21	95303-10600	NUT, hexagon	1	1		
13-22	92903-10100	WASHER, spring	1	1		
13-23	624-82370-00	PLUG CAP ASS'Y	1	1	3.5AS ~11295 L ~32585	
13-24	* 663-82370-01	PLUG CAP ASS'Y	1	1	3.5ACS ~23740 L ~41690 3.5AS-11481 ~ L-32586 ~	
13-25	650-82370-00	PLUG CAP ASS'Y	1	1	3.5ACS-24476 ~ L-41806 ~	Noise Suppressor
13-26	624-82310-20	IGNITION COIL ASS'Y	1	1	3.5AS-09001 ~ 11295 L-32186 ~ 32585 3.5ACS-16426 ~ 23740 L-39264 ~ 41690	
	* 624-82310-21	IGNITION COIL ASS'Y	1	1	3.5AS-11481 ~ L-32586 ~ 3.5ACS-24476 ~ L-41806 ~	
13-27	650-82340-10	. CORD, hightension	1	1		
13-28	97323-06025	BOLT, hexagon	2	2	3.5AS-09001 ~ L-32186 ~	
13-29	92903-06600	WASHER, plate	2	2	3.5ACS-16426 ~ L-39264 ~	
13-30	* 624-81313-G0	COIL, lighting (12V-30W)	1	1	3.5AS-11481 ~ L-32586 ~ 3.5ACS-24476 ~ L-41806 ~	Optional Part

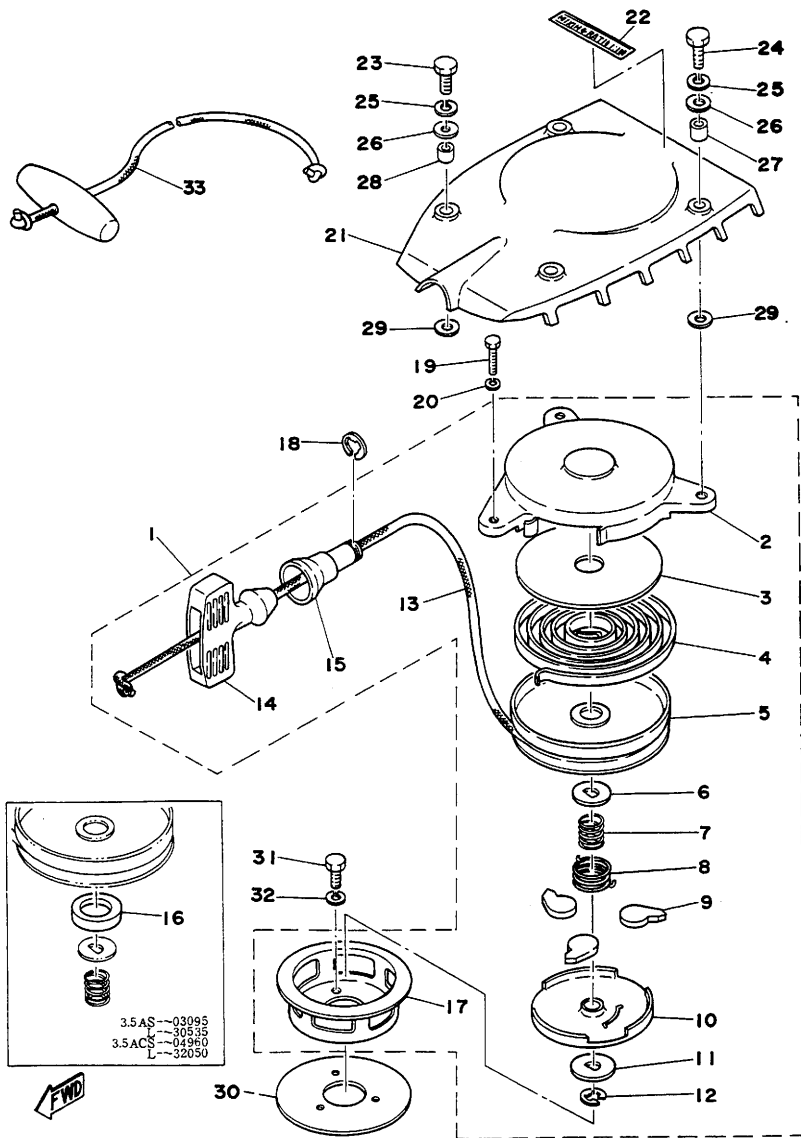
Fig. 14 STARTER



# STARTER

Ref. No.	Parts No.	Description	Q'ty		Applicable Machine No.	Remarks
			35A	35AC		
14- 1	624-15710-02-36	STARTER ASS'Y	1	1	3.5AS ~ 10714 L ~ 32470 3.5ACS ~ 20880	◇ White
	624-15710-03-36	STARTER ASS'Y	1	1	3.5AS ~ 10715 ~ 11295 L ~ 32471 ~ 32585 3.5ACS ~ 20881 ~ 23740 L ~ 40701 ~ 41690	◇ White
* 14- 1	624-15710-04-33	STARTER ASS'Y	1	1	3.5AS ~ 11481 ~ L ~ 32586 ~ 3.5ACS ~ 24476 ~ L ~ 41806 ~	Yamaha Black
	624-15711-01-36	CASE, starter	1	1	3.5AS ~ 10714 L ~ 32470 3.5ACS ~ 20880	◇ White
14- 2	624-15711-02-36	CASE, starter	1	1	3.5AS ~ 10715 ~ 11295 L ~ 32471 ~ 32585 3.5ACS ~ 20881 ~ 23740 L ~ 40701 ~ 41690	White
	* 624-15711-02-33	CASE, starter	1	1	3.5AS ~ 11481 ~ L ~ 32586 ~ 3.5ACS ~ 24476 ~ L ~ 41806 ~	Yamaha Black
14- 3	615-15724-00	PLATE, slide	1	1		
14- 4	619-15713-01	SPRING, starter	1	1		
14- 5	619-15714-00	DRUM, sheave	1	1		
14- 6	619-15719-01	WASHER, thrust l	1	1		
14- 7	619-15715-00	SPRING, drive plate	1	1		
14- 8	619-15734-00	SPRING, return	1	1		
14- 9	619-15741-00	PAWL, drive	3	3		
14-10	615-15716-00	PLATE, drive	1	1		
14-11	615-15719-00	WASHER, thrust l	1	1	3.5AS ~ 11295 L ~ 32585 3.5ACS ~ 23740 L ~ 41690	
	619-15719-02	WASHER, thrust l	1	1	3.5AS ~ 11296 ~ L ~ 32586 ~ 3.5ACS ~ 23741 ~ L ~ 41691 ~	
14-12	619-15744-00	CIRCLIP (E-7)	1	1		
14-13	615-15751-00	WIRE, stater	1	1		
14-14	619-15755-01	HANDLE, starter	1	1		
14-15	624-15758-00	GUIDE, rope	1	1		
14-16	619-15738-00	LUBRICATOR	1	1	3.5AS ~ 03095 L ~ 30535 3.5ACS ~ 04960 L ~ 32050	
14-17	615-15723-00	PULLEY, starter	1	1	3.5AS ~ 11295 L ~ 32585 3.5ACS ~ 23740 L ~ 41690	
	* 654-15723-00	PULLEY, starter	1	1	3.5AS ~ 11296 ~ L ~ 32586 ~ 3.5ACS ~ 23741 ~ L ~ 41691 ~	
14-18	93430-10016	CIRCLIP (E-10)	1	1		
14-19	97323-06010	BOLT, hexagon	1	1		
14-20	92903-06100	WASHER, spring	1	1		
14-21	624-15712-01-36	COVER, starter case	1	1	3.5AS ~ 11295 L ~ 32585 3.5ACS ~ 23740 L ~ 41690	White
	* 624-15712-02	COVER, starter case	1	1	3.5AS ~ 11481 ~ L ~ 32586 ~ 3.5ACS ~ 24476 ~ L ~ 41806 ~	
14-22	* 654-24151-80	INDICATOR	1	1		
14-23	97370-06017	BOLT, hexagon	2	2		

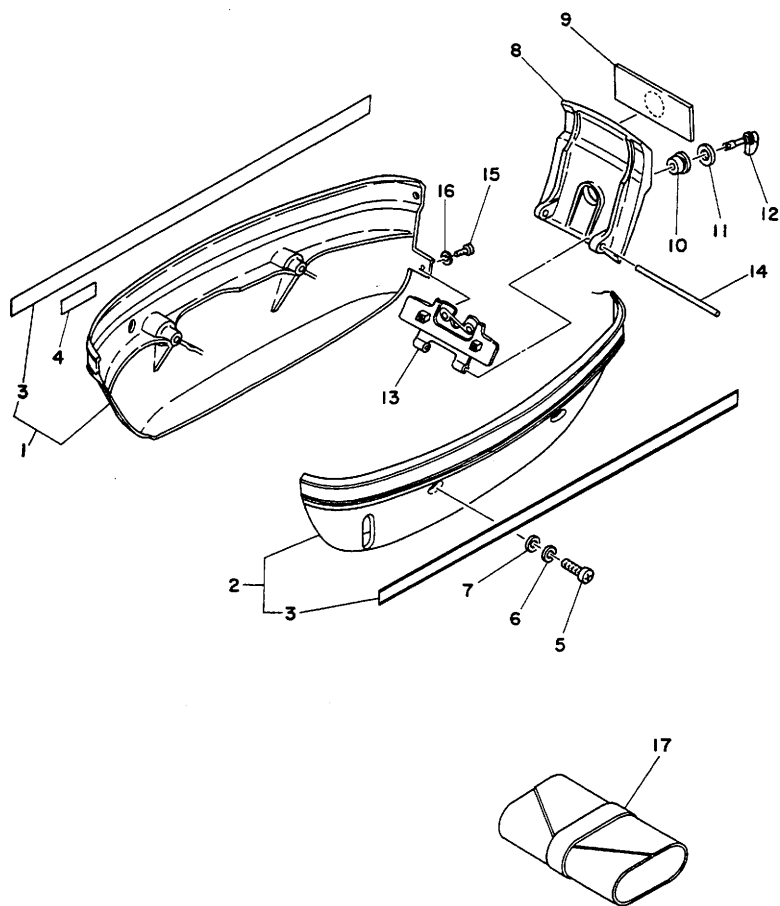
Fig. 14 STARTER



# STARTER

Ref. No.	Parts No.	Description	Q'ty		Applicable Machine No.	Remarks
			35A	35AC		
14-24	97370-06020	BOLT, hexagon .....	2	2		
14-25	92990-06100	WASHER, spring .....	4	4		
14-26	92990-06200	WASHER, plain .....	4	4		
14-27	90387-08044	COLLAR 1 (624-15764-00) .....	2	2		
14-28	90387-08043	COLLAR 2 (624-15765-00) .....	2	2		
14-29	92903-06600	WASHER, plate .....	4	4		
14-30	603-81362-00	COVER, hole .....	1	1		
14-31	97323-06012	BOLT, hexagon .....	3	3		
14-32	92903-06100	WASHER, spring .....	3	3		
14-33	* 646-15710-02	STARTER ASS'Y .....	1	1		{ 3.5AS-11481 ~ L.32506 ~ 3.5ACS-24476 ~ L.41806 ~

Fig. 15 COWLING

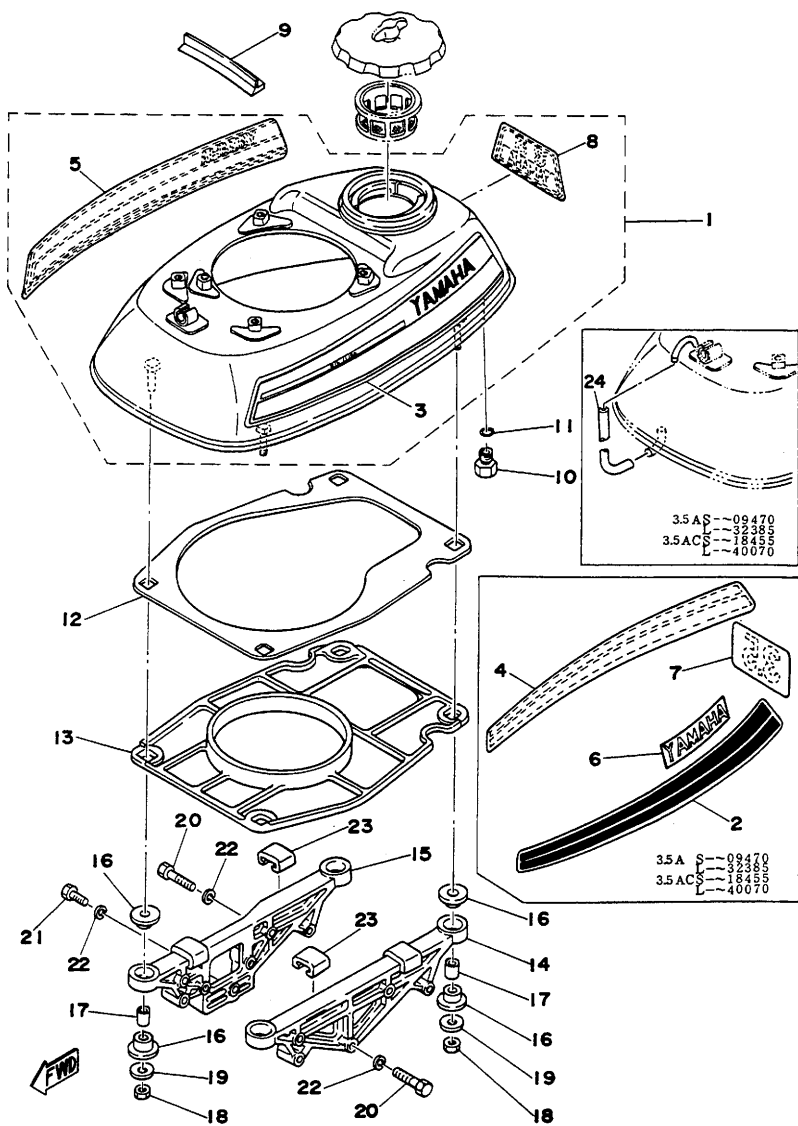




# COWLING

Ref. No.	Parts No.	Description	Q'ty		Applicable Machine No.	Remarks
			35A	35AC		
15- 1	624-42749-00-36	APRON ASS'Y 1	1	1	{ 3.5AS. ~ 09000 L. ~ 32185 3.5ACS. ~ 16425 L. ~ 32585	White
	624-42749-01-36	APRON ASS'Y 1	1	1	{ 3.5AS-09001 ~ 11295 L. 32186 ~ 32585 3.5ACS-16426 ~ 23740 L. 39264 ~ 41690	White
	* 624-42749-02-F6	APRON ASS'Y 1	1		{ 3.5AS-11481 ~ L. 32586 ~	Metallic Ocean Blue
	* 642-42749-01-F6	APRON ASS'Y 1	1		{ 3.5ACS-24476 ~ L. 41806 ~	Metallic Ocean Blue
15- 2	624-42779-00-36	APRON ASS'Y 2	1	1	{ 3.5AS. ~ 11295 L. ~ 32585 3.5ACS. ~ 23740 L. ~ 41690	White
	* 624-42779-01-F6	APRON ASS'Y 2	1	1	{ 3.5AS-11481 ~ L. 32586 ~ 3.5ACS-24476 ~ L. 41806 ~	Metallic Ocean Blue
15- 3	624-42791-00	. MARK 1	2	2	{ 3.5AS. ~ 11295 L. ~ 32585 3.5ACS. ~ 23740 L. ~ 41690	
	* 624-42791-01	. MARK 1	2	2	{ 3.5AS-11481 ~ L. 32586 ~ 3.5ACS-24476 ~ L. 41806 ~	
15- 4	642-44191-01	INDICATOR, shift	1	1	{ 3.5ACS. ~ 23740 L. ~ 41690	
	* 642-44191-70	INDICATOR, shift	1	1	{ 3.5ACS-24476 ~ L. 41806 ~	
15- 5	92503-06025	SCREW, panhead	4	4		
15- 6	92990-06100	WASHER, spring	4	4		
15- 7	92990-06600	WASHER, plate	4	4		
15- 8	624-42772-00-36	COVER, apron 1	1	1	{ 3.5AS. ~ 11295 L. ~ 32585 3.5ACS. ~ 23740 L. ~ 41690	White
	* 624-42772-01-F6	COVER, apron 1	1	1	{ 3.5AS-11481 ~ L. 32586 ~ 3.5ACS-24476 ~ L. 41806 ~	Metallic Ocean Blue
15- 9	624-42782-00	GRAPHIC, rear	1	1		
15-10	90385-08021	BUSHING	1	1		
15-11	90201-08103	WASHER, plain (615-42751-00)	1	1		
15-12	615-42753-01	FASTENER	1	1		
15-13	624-42704-00	SPRING ASS'Y	1	1		
15-14	624-42752-00	SHAFT	1	1		
15-15	98503-05010	SCREW, panhead	2	2		
15-16	92903-05600	WASHER, plate	2	2		
15-17	624-28100-62	TOOL ASS'Y	1	1		

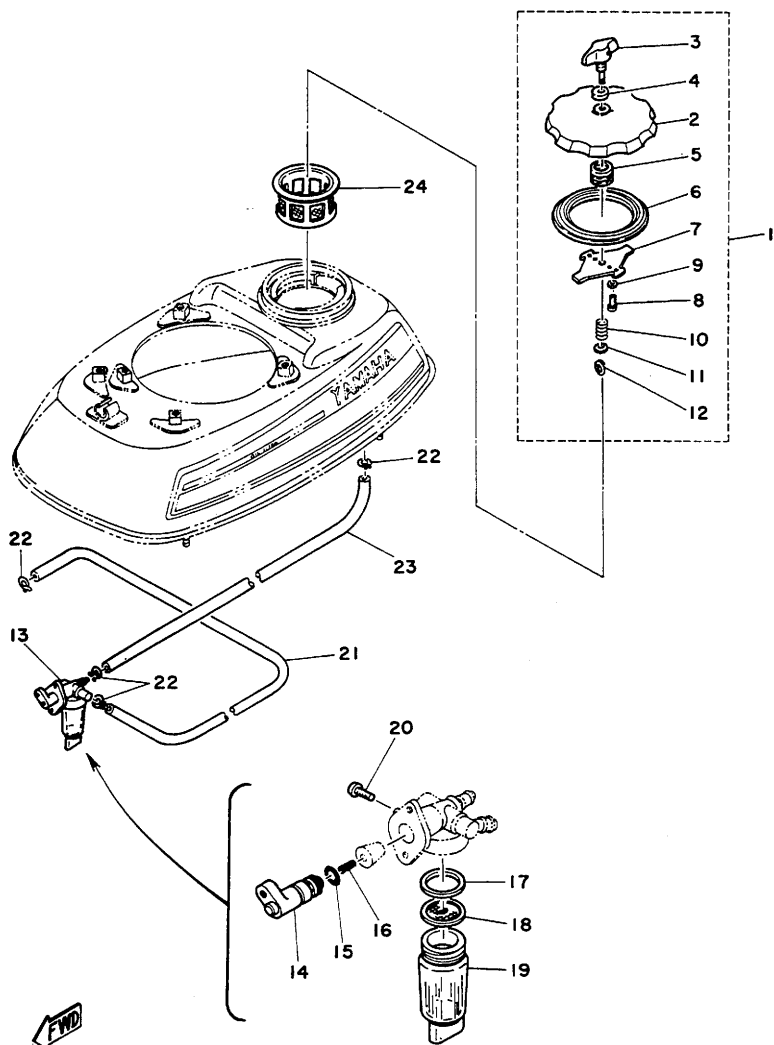
# Fig. 16 FUEL TANK



# FUEL TANK

Ref. No.	Parts No.	Description	Q'ty		Applicable Machine No.	Remarks
			35A	35AC		
16- 1	624-24101-60-36	FUEL TANK COMP.	1	1	3.5AS-~09000 L-32185 3.5ACS-~16425 L-~39275	White
	624-24101-61-36	FUEL TANK COMP.	1	1		3.5AS-09001~11295 L-32186~32585 3.5ACS-16426~23740 L-39276~41690
	*624-24101-80-F6	FUEL TANK COMP.	1	1	3.5AS-11481~ L-32586~ 3.5ACS-24476~ L-41806~ 3.5AS-~09470 L-~32385 3.5ACS-~16455 L-~40070	Metallic Ocean Blue
16- 2	624-42675-00	. GRAPHIC, side 1	1	1		
16- 3	624-42675-01	. GRAPHIC, side 1	1	1	3.5AS-09471~11295 L-32386~32585 3.5ACS-18456~23740 L-40071~41690 3.5AS-11481~ L-32586~	
	*624-42675-80	. GRAPHIC, side 1	1	1	3.5ACS-24476~ L-41806~ 3.5AS-~09470 L-32385 3.5ACS-~18455 L-~40070	
16- 4	624-42676-00	. GRAPHIC, side 2	1	1		
16- 5	624-42676-01	. GRAPHIC, side 2	1	1	3.5AS-09471~11295 L-32386~32585 3.5ACS-18456~23740 L-40071~41690	
	*624-42676-80	. GRAPHIC, side 2	1	1	3.5AS-11481~ 3.5ACS-24476~ L-41806~ 3.5AS-~09470 L-32385 3.5ACS-~18455 L-~40070	
16- 6	624-42681-00	. MARK, cowling 1	2	2		
16- 7	624-42678-00	. GRAPHIC, rear	1	1	3.5AS-~09470 L-32385 3.5ACS-~18455 L-~40070	
16- 8	624-42678-01	. GRAPHIC, rear	1	1	3.5AS-09471~ L-32386~ 3.5ACS-18456~ L-40071~	
16- 9	624-42716-00	SEAL, rubber 1	1	1		
16-10	90340-10002	PLUG, drain (615-24196-00)	1	1		
16-11	93210-08006	O-RING (1.9-7.8)	1	1		
16-12	624-24183-00	DAMPER, locating 3	1	1		
16-13	624-24125-00	SEAL, air shroud	1	1		
16-14	624-24191-09-94	BRACKET, fuel tank	2	2	3.5AS-~09000 L-~32185 3.5ACS-~16425 L-~39263	
	624-24191-01-94	BRACKET, fuel tank	1	1		
16-15	624-24192-00-94	BRACKET, fuel tank	1	1	3.5AS-09001~ L-32186~ 3.5ACS-16426~ L-39264~	
16-16	624-24181-00	DAMPER, locating 1	8	8		
16-17	624-24182-00	DAMPER, locating 2	4	4		
16-18	95303-06600	NUT, hexagon	4	4		
16-19	90201-06067	WASHER, plate	4	4		
16-20	97323-06030	BOLT, hexagon	6	6	3.5AS-~09000 L-~32185 3.5ACS-~16425 L-~39263	
	97323-06030	BOLT, hexagon	5	5		
16-21	97323-06015	BOLT, hexagon	1	1	3.5AS-09001~ L-32186~ 3.5ACS-16426~ L-39264~	
16-22	92903-06100	WASHER, spring	6	6		
16-23	624-24184-00	DAMPER, locating 4	4	4		
16-24	90446-05048	HOSE (3-5-135)	1	1	3.5AS-~09470 L-~32385 3.5ACS-~16455 L-~40070	

Fig. 17 TANK CAP · FUEL COCK



# TANK CAP · FUEL COCK

Ref. No.	Parts No.	Description	Q'ty		Applicable Machine No.	Remarks
			3.5A	3.5AC		
17- 1	647-24610-02	CAP ASS'Y	1	1		
17- 2	620-24611-01	. BODY, cap	1	1		
17- 3	620-24631-01	. SCREW, air	1	1		
17- 4	90430-04005	. GASKET (611-24632-00)	1	1		
17- 5	615-24636-00	. BUSHING, labyrinth	1	1		
17- 6	611-24612-01	. PACKING, cap	1	1		
17- 7	615-24618-03	. LOCK	1	1		
17- 8	98503-05010	. SCREW, panhead	2	2		
17- 9	92903-05100	. WASHER, spring	2	2		
17-10	90501-10374	. SPRING, compression	1	1		
17-11	92990-04200	. WASHER, plain	1	1		
17-12	90501-10260	. SPRING, safety (615-24635-00)	1	1		
17-13	624-24500-02	FUEL COCK ASS'Y	1	1		
17-14	624-24524-00	. LEVER, cock	1	1		
17-15	122-24534-00	. O-RING	1	1		
17-16	90501-07029	. SPRING (102-24529-00)	1	1		
★17-17	624-24522-00	. PACKING, filter	1	1		
17-18	102-24515-00	. NET, filter	1	1		
17-19	624-24521-01	. CUP, filter	1	1		
17-20	127-24535-00	. SCREW	1	1		
17-21	90445-09091	HOSE (132-24312-00 5-9-190)	1	1		
17-22	90467-08004	CLIP, pipe (616-24356-00)	4	4		
17-23	624-24312-00	PIPE 2 (5-9-270)	1	1		
17-24	615-24167-00	STRAINER	1	1		



# NUMERICAL INDEX







# NUMERICAL INDEX

Ref No.	Parts No.	Ref No.	Parts No.	Ref No.	Parts No.
17-18	102-24515-00	8-26	615-45551-01	4-33	620-14222-00
13-13	116-81331-20	9- 7	616-42537-01	4-35	620-14223-00
13-13	120-81331-20	9-35	616-43118-00-F6	4-43	620-14225-00
17-15	122-24534-00	9-14	616-43372-00-F6	4-38	620-14226-00
2- 4	126-11651-00	12-20	616-44145-01	4-37	620-14227-00
4- 9	127-14195-00	12-19	616-44146-01	4- 7	620-14231-14
17-20	127-24535-00	7-12	616-45251-30	4- 7	620-14231-15
8-46	131-15644-00-10	8-17	616-45251-30	4- 7	620-14231-16
8-46	131-15644-00-12	7-13	616-45252-30	4- 7	620-14231-17
8-46	131-15644-00-16	8-18	616-45252-30	4-34	620-14237-00
4-11	132-14135-00	3- 8	617-41272-01	4-20	620-14241-00
4-14	132-14173-00	13-12	617-81325-20	4-36	620-14242-00
4-32	137-14135-00	14- 4	619-15713-01	4-39	620-14243-00
11-32	168-83936-01	14- 5	619-15714-00	4- 5	620-14244-00
4-40	198-81245-11	14- 7	619-15715-00	4- 6	620-14245-00
10-20	601-43165-00	14- 6	619-15719-01	4-42	620-14246-00
1-12	603-11181-00	14-11	619-15719-02	17- 2	620-24611-01
2-11	603-11633-01	14- 8	619-15734-00	17- 3	620-24631-01
13-16	603-81317-20	14-16	619-15738-00	9- 8	620-42528-00
13- 8	603-81321-20	14- 9	619-15741-00	11-33	620-42591-00
13-12	603-81326-20	14-12	619-15744-00	9-23	620-43111-00-F6
13-17	603-81328-20	14-14	619-15755-01	9-24	620-43112-00-F6
13- 2	603-81350-20	13- 1	619-81300-21	10-19	620-43160-00
14-30	603-81362-00	3-36	620-13647-00	10-23	620-43160-01
17- 6	611-24612-01	4-16	620-14133-01	10- 1	620-43180-09
9-18	611-43350-03-F6	4- 2	620-14142-08	10- 3	620-43189-00
14-10	615-15716-00	4- 2	620-14142-10	9- 1	620-43311-09-F6
14-11	615-15719-00	4- 3	620-14149-00	9- 2	620-433.2.00-F6
14-17	615-15723-00	4-10	620-14171-00	10- 6	620-43313-00-F6
14- 3	615-15724-00	4-13	620-14174-00	9-16	620-43318-00-F6
14-13	615-15751-00	4-21	620-14176-00	10- 8	620-43319-00
17-24	615-24167-00	4-12	620-14178-00	9-11	620-43383-00
17- 7	615-24618-03	4-27	620-14184-00	10- 2	620-43632-00
17- 5	615-24636-00	4-24	620-14185-00	10-13	620-43651-00
9- 9	615-42537-00	4-25	620-14186-00	10-14	620-43659-00
9- 9	615-42537-01	4- 8	620-14190-20	7-36	620-45619-00
15-12	615-42753-01	4-27	620-14199-00	8-55	620-45619-00
8-28	615-44147-00	4-17	620-14211-00	8-54	620-45621-00-10
7-21	615-45551-01	4-18	620-14212-00	8-54	620-45621-00-15

# NUMERICAL INDEX

Ref No.	Parts No.	Ref No.	Parts No.	Ref No.	Parts No.
13- 4	620-81311-20	1- 3	624-14485-00	11-37	624-26301-03
4-33	622-14222-01	1- 5	624-14485-00	3-44	624-26381-00
1-13	624-11111-02-94	3-10	624-14497-00	15-17	624-28100-62
1- 6	624-11370-00	1-19	624-14588-01	5- 4	624-41131-00-85
1- 7	624-11375-00	1- 1	624-15100-00-94	6- 4	624-41131-00-85
1- 8	624-11379-00	1- 2	624-15100-60-94	5- 5	624-41133-00
2- 1	624-11400-01	1- 4	624-15100-61-94	6- 5	624-41133-00
2- 2	624-11412-01	1- 4	624-15100-80-94	5- 7	624-41134-00
2- 3	624-11422-01	14- 1	624-15710-02-36	6- 7	624-41134-00
2-17	624-11517-01	14- 1	624-15710-03-36	5-13	624-41134-80
2-13	624-11610-00	14- 1	624-15710-04-33	6-13	624-41134-80
2-14	624-11610-10	14- 2	624-15711-01-36	5- 6	624-41137-00
2-14	624-11610-20	14- 2	624-15711-02-33	6- 6	624-41137-00
2- 9	624-11631-00-96	14- 2	624-15711-02-36	3- 9	624-41256-00
2- 9	624-11631-00-97	14-21	624-15712-01-36	3- 6	624-41271-00
2- 9	624-11631-80-95	14-21	624-15712-02	11- 1	624-42111-02-F6
2- 9	624-11631-80-96	14-15	624-15758-00	11-13	624-42112-02-F6
2- 9	624-11631-80-97	16- 1	624-24101-60-36	11-13	624-42112-03-F6
2-10	624-11635-00	16- 1	624-24101-61-36	11- 8	624-42119-01
2-10	624-11635-80	16- 1	624-24101-80-F6	11-11	824-42122-00
2-10	624-11636-00	16-13	624-24125-00	11- 7	624-42126-00-58
2-10	624-11636-80	3-15	624-24153-00	11-10	624-42137-01
2-19	624-11650-00	3- 7	624-24156-00	11-12	624-42171-00
2- 6	624-11681-00	16-16	624-24181-00	11-14	624-42511-01-F6
1-22	624-12651-02-33	16-17	624-24182-00	11-15	624-42511-02-F6
1-23	624-12651-03-33	16-12	624-24183-00	9-13	624-42529-00
3-43	624-13610-00	16-23	624-24184-00	11-25	624-42532-00-F6
3-40	624-13621-00	16-14	624-24191-01-94	11-26	624-42533-00-F6
3-35	624-13645-00	16-14	624-24191-09-94	11-29	624-42542-00
4- 1	624-14101-02	16-15	624-24192-00-94	11-28	624-42548-00
4- 4	624-14141-00	17-23	624-24312-00	16- 2	624-42675-00
4-19	624-14175-01	17-13	624-24500-02	16- 3	624-42675-01
4-26	624-14181-00	17-19	624-24521-01	16- 3	624-42675-80
4-26	624-14181-01	17-17	624-24522-00	16- 4	824-42676-00
3-31	624-14410-00-33	17-14	624-24524-00	16- 5	624-42676-01
3-32	624-14416-00	3-23	624-24553-00	16- 5	624-42676-80
3- 1	624-14441-00-36	3-17	624-24572-00	3- 2	624-42677-00
3- 1	624-14441-01-36	3-18	624-24572-01	16- 7	624-42678-00
3- 1	624-14441-02	3-14	624-24575-00	16- 8	624-42678-01
3-11	624-14452-00	3-45	624-24578-00	16- 6	624-42681-00

# NUMERICAL INDEX

Ref No.	Parts No.	Ref No.	Parts No.	Ref No.	Parts No.
15-13	624-42704-00	8-25	624-45533-01	5- 1	625-45111-01-F6
16- 9	624-42716-00	7-19	624-45534-00-03	5-10	625-45111-80-F6
15- 1	624-42749-00-36	8-24	624-45534-00-03	7-16	625-45510-03
15- 1	624-42749-01-36	7-19	624-45534-00-05	8-21	625-45510-03
15- 1	624-42749-02-F6	8-24	624-45534-00-05	15- 1	624-42749-01-F6
15-14	624-42752-00	7-25	624-45560-00	12- 3	642-44111-00
15- 8	624-42772-00-36	7-25	624-45560-01	12- 6	642-44113-00
15- 8	624-42772-01-F6	7-24	624-45567-00-03	12- 1	642-44120-00
15- 2	624-42779-00-36	8-35	624-45567-00-03	12- 1	642-44120-01
15- 2	624-42779-01-F6	7-24	624-45567-00-05	12- 2	642-44120-02
15- 9	624-42782-00	8-35	624-45567-00-05	6-36	642-44122-00
15- 3	624-42791-00	7-38	624-45915-01-36	12- 9	642-44123-01
15- 3	624-42791-01	8-57	624-45915-01-36	12-12	642-44142-00
9- 1	624-43311-00-F6	7-38	624-45926-01-36	12-15	642-44143-01
5-22	624-44361-00	8-57	624-45926-01-36	8-30	642-44144-00
6-22	624-44361-00	7-38	624-45942-01-36	8-31	642-44149-00
5-25	624-44361-80	8-57	624-45942-01-36	8-31	642-44149-01
6-25	624-44361-80	7-38	624-45943-01-36	8-32	642-44150-00
5- 1	624-45111-00-F6	8-57	624-45943-01-36	8-29	642-44151-00
5- 1	624-45111-01-F6	13- 1	624-81300-G0	8-12	642-44152-01
5-10	624-45111-80-F6	13- 1	624-81300-20	15- 4	642-44191-01
5- 3	624-45114-00	13- 3	624-81310-G0	15- 4	642-44191-70
6- 3	624-45114-00	13- 4	624-81310-20	6- 1	642-45111-00-F6
5-12	624-45114-01	13- 4	624-81311-G0	6- 1	642-45111-01-F6
6-12	624-45114-01	13- 4	624-81311-20	6-10	642-45111-80-F6
5-28	624-45151-00-F6	13-30	624-81313-G0	8-11	642-45180-00-F6
6-28	624-45151-00-F6	13- 8	624-81321-20	8-13	642-45180-01-F6
7- 9	624-45181-00-F6	13-12	624-81325-20	6-35	642-45270-00-F6
7- 1	624-45310-00-F6	13- 2	624-81350-G0	6-37	642-45270-01-F6
7-30	624-45361-00-F6	13- 2	624-81350-20	6-39	642-45273-00
8-49	624-45361-00-F6	13-26	624-82310-20	6-43	642-45274-00-F6
7-29	624-45363-00	13-26	624-82310-21	8- 1	642-45310-00-F6
8-48	624-45363-00	13-23	624-82370-00	7-15	642-45315-00
7-16	624-45510-03	11-34	624-82550-01	8-20	642-45315-00
8-21	624-45510-03	11-36	624-82556-00	8-36	642-45560-01
7-17	624-45531-00	5-22	625-44361-00	8-42	642-45611-00
8-22	624-45531-00	6-22	625-44361-00	8-42	642-45611-01
7-20	624-45533-01	5-25	625-44361-80	8-37	642-45631-02
		6-25	625-44361-80	8-40	642-45634-00
				7-38	642-45915-01-36

# NUMERICAL INDEX

Ref. No.	Parts No.	Ref. No.	Parts No.	Ref. No.	Parts No.
8-57	642-45915-01-36	9-29	90101-06335	3-24	90386-03026
12-15	643-44143-01	9-25	90101-10073	3-22	90386-06003
6- 1	643-45111-00-F6	11-17	90109-08037	6-38	90386-10087
6- 1	643-45111-01-F6	11-17	90109-08345	11-27	90387-06268
6-10	643-45111-80-F6	3-37	90116-06011	14-28	90387-08043
11- 2	644-42112-01-F6	5-32	90116-08071	14-27	90387-08044
14-33	646-15710-02	6-32	90116-08071	17- 4	90430-04005
4-44	647-14395-60	5-32	90116-08110	8- 9	90430-05008
17- 1	647-24610-02	6-32	90116-08110	7- 7	90430-08020
8-14	647-44152-01	8- 8	90149-08001	8- 7	90430-08020
9-34	648-43114-01	9-12	90149-08028	1-16	90445-05794
13-27	650-82340-10	9-33	90149-12029	17-21	90445-09091
13-25	650-82370-00	16-19	90201-06067	16-24	90446-05048
14-17	654-15723-00	15-11	90201-08103	11-38	90446-09010
14-22	654-24151-80	11-18	90201-08108	1-18	90467-06016
10- 7	654-43313-00-F6	10-18	90201-09117	17-22	90467-08004
12- 9	654-44123-00	11-22	90201-09117	12-14	90468-10004
12-16	654-44143-01	9-26	90201-10524	10-15	90468-18008
12-16	654-44143-11	8-44	90201-12164	1-21	90501-02223
5-26	654-44365-80	11-19	90201-12181	17-16	90501-07029
6-26	654-44365-80	7-35	90201-13204	3-21	90501-08039
5- 2	654-45113-00	11-21	90202-11028	11- 6	90501-09053
6- 2	654-45113-00	11-20	90202-11029	8-41	90501-10063
5- 2	654-45113-10	7-34	90202-13033	17-12	90501-10260
6- 2	654-45113-10	8-53	90202-13033	17-10	90501-10374
5-11	654-45113-40	9- 5	90209-66017	12- 4	90501-12085
6-11	654-45113-40	12-12	90240-05038	10-22	90502-10014
5-11	654-45113-80	9-36	90243-04001	10-16	90508-16017
6-11	654-45113-80	7-26	90250-05009	10- 5	90508-16020
5-29	654-45151-01	8-43	90250-05009	10- 4	90508-16021
6-29	654-45151-01	8-38	90250-05046	10-17	90508-18022
8-33	654-45635-00	9-17	90269-02002	10- 4	90508-20024
1-17	655-24312-00	2-18	90280-03017	10- 5	90508-20025
10-24	656-43165-01	7- 6	90340-08014	9-30	90560-07008
6-42	663-45119-00	8- 6	90340-08014	12-14	91490-16010
9-22	663-45119-00	16-10	90340-10002	12-18	91490-25012
13-24	663-82370-01	8- 2	90382-12010	7-37	91490-30035
4-30	730-14245-00	7- 2	90382-12011	8-56	91490-30035
4-31	831-14979-00	15-10	90385-08021	10-21	91690-20008

# NUMERICAL INDEX

Ref No.	Parts No.	Ref No.	Parts No.	Ref No.	Parts No.
3-16	91690-20018	13-29	92903-06600	6-34	92990-08100
10- 9	91690-25010	14-29	92903-06600	7- 5	92990-08100
9-15	91690-25014	13-22	92903-10100	8- 5	92990-08100
10-25	91690-30008	17-11	92990-04200	11-23	92990-08100
5-27	91690-35025	3- 4	92990-05100	9-27	92990-10100
6-27	91690-35025	7-11	92990-05100	7-18	93102-12059
11-16	91690-40020	8-16	92990-05100	8-23	93102-12059
1- 9	91830-22016	12-11	92990-05100	2-15	93102-20009
5-16	91830-22016	3- 5	92990-05600	2-16	93102-20060
6-16	91830-22016	12-13	92990-05600	7-28	93103-14050
7-14	92180-06015	5- 9	92990-06100	8-47	93103-14050
8-19	92180-06015	5-15	92990-06100	12- 8	93210-07003
15- 5	92503-06025	5-21	92990-06100	16-11	93210-08006
4-41	92901-03100	5-24	92990-06100	7- 8	93210-24108
3-28	92901-04100	5-31	92990-06100	8-10	93210-24108
4-29	92901-04100	6- 9	92990-06100	9-10	93210-57086
13- 6	92901-04100	6-15	92990-06100	9- 6	93210-61087
13-10	92901-04100	6-21	92990-06100	7-23	93306-00401
13-15	92901-04100	6-24	92990-06100	8-34	93306-00401
13-19	92901-04100	6-31	92990-06100	2- 7	93306-00407
13-11	92901-04200	6-45	92990-06100	7-27	93306-20201
4-22	92901-05100	7-32	92990-06100	8-45	93306-20201
3-13	92903-05100	8-51	92990-06100	2- 8	93310-11202
3-26	92903-05100	9- 4	92990-06100	2- 8	93310-11268
3-30	93903-05100	9-20	92990-06100	2- 5	93310-41810
3-34	92903-05100	9-31	92990-06100	3-20	93430-05011
17- 9	92903-05100	11-31	92990-06100	7-22	93430-07012
15-16	92903-05600	12-11	92990-06100	8-27	93430-07012
1-11	92903-06100	12-22	92990-06100	12- 7	93430-08007
1-25	92903-06100	14-25	92990-06100	14-18	93430-10016
3-39	92903-06100	15- 6	92990-06100	8-39	93440-24038
3-42	92903-06100	7-33	92990-06200	2-12	93450-13022
14-20	92903-06100	8-52	92990-06200	1-20	93501-08001
14-32	92903-06100	12-17	92990-06200	12- 5	93505-16006
16-22	92903-06100	14-26	92990-06200	6-40	93605-20064
3-19	92903-06200	9-38	92990-06600	7- 3	93606-15020
3-19	92903-06200	10-12	92990-06600	8- 3	93606-15020
1-15	92903-06600	15- 7	92990-06600	6-41	93700-06004
1-26	92903-06600	5-34	92990-08100	9-21	93700-06004

# NUMERICAL INDEX

Ref No.	Parts No.	Ref No.	Parts No.	Ref No.	Parts No.
1-27	94701-00039	5- 8	97370-06025		
1-27	94701-00040	6- 8	97370-06025		
13- 7	95301-04600	5-20	97370-06025		
4-23	95301-05700	6-20	97370-06025		
3-38	95303-06600	5-14	97370-06030		
16-18	95303-06600	6-14	97370-06030		
13-21	95303-10600	10-10	97370-06030		
9-32	95380-06600	11-30	97370-06030		
5-33	95380-08600	5-19	97370-06035		
6-33	95380-08600	6-19	97370-06035		
11-24	95380-08700	6-44	97370-06035		
9-28	95380-10600	9- 3	97370-06035		
11- 9	95390-05600	11-30	97370-06040		
11-35	95390-08700	5-18	97370-06055		
12-10	97270-05012	6-18	97370-06055		
1-24	97323-06010	5-17	97370-06065		
14-19	97323-06010	6-17	97370-06065		
14-31	97323-06012	9-29	97370-06120		
16-21	97323-06015	7- 4	97370-08030		
13-28	97323-06025	8- 4	97370-08030		
1-14	97323-06030	13-20	98203-05012		
16-20	97323-06030	4-15	98302-03014		
1-10	97323-06040	11- 5	98380-05020		
3-41	97323-06070	13-14	98501-04008		
7-10	97370-05012	4-28	98501-04012		
8-15	97370-05012	13-18	98502-04006		
5-30	97370-06010	13- 9	98502-04012		
6-30	97370-06010	13- 5	98502-04032		
9-37	97370-06010	3-27	98503-04008		
9-19	97370-06012	3-25	98503-05008		
12-10	97370-06012	3-12	98503-05010		
5-23	97370-06015	3-29	98503-05010		
6-23	97370-06015	3-33	98503-05010		
14-23	97370-06017	15-15	98503-05010		
7-31	97370-06020	17- 8	98503-05010		
8-50	97370-06020	3- 3	98503-05032		
10-11	97370-06020	11- 3	98680-04012		
12-21	97370-06020	11- 4	98680-04020		
14-24	97370-06020	11- 3	98690-04015		





**YAMAHA MOTOR CO., LTD.**

PRINTED IN JAPAN

First edition Aug., 1976

(624-28198-E5)